



US00D743025S

(12) **United States Design Patent**
Berler

(10) **Patent No.:** **US D743,025 S**

(45) **Date of Patent:** **** Nov. 10, 2015**

- (54) **SAFETY SYRINGE**
- (71) Applicant: **Barry B. Berler**, Huntingdon Valley, PA (US)
- (72) Inventor: **Barry B. Berler**, Huntingdon Valley, PA (US)
- (**) Term: **14 Years**
- (21) Appl. No.: **29/469,409**
- (22) Filed: **Oct. 9, 2013**
- (51) **LOC (10) Cl.** **24-02**
- (52) **U.S. Cl.**
USPC **D24/114**
- (58) **Field of Classification Search**
USPC D24/112-114, 133, 186, 104, 130, 127;
606/181, 185; 604/264, 272, 115, 232,
604/187, 158, 164.08, 192, 263, 163, 181,
604/184, 198, 227
CPC A61M 5/34; A61M 5/5086; A61M 5/32;
A61M 5/344
See application file for complete search history.

D545,429	S *	6/2007	Hays	D24/114
7,988,663	B2 *	8/2011	Schiller et al.	604/110
D674,086	S *	1/2013	Khalaj	D24/114
2002/0151851	A1 *	10/2002	Fu	604/192
2004/0006313	A1 *	1/2004	Chian	604/198
2004/0220533	A1 *	11/2004	Caizza et al.	604/264
2005/0004528	A1 *	1/2005	Barrelle et al.	604/198
2005/0038395	A1 *	2/2005	Shih	604/227
2007/0005014	A1 *	1/2007	Lin et al.	604/110
2007/0016145	A1 *	1/2007	Berler	604/240
2007/0078406	A1 *	4/2007	Lee	604/198
2008/0114307	A1 *	5/2008	Smith et al.	604/240
2009/0287149	A1 *	11/2009	Koh	604/110

* cited by examiner

Primary Examiner — David Muller
Assistant Examiner — Nathan Johnston
 (74) *Attorney, Agent, or Firm* — LaMorte & Associates, P.C.

(57) **CLAIM**
 The ornamental design for a safety syringe, as shown and described.

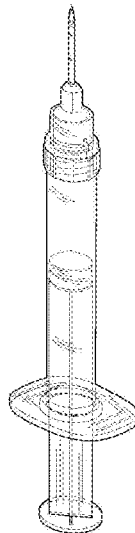
DESCRIPTION

FIG. 1 is a front view of a safety syringe with a plunger partially depressed, the rear view is the same;
 FIG. 2 is a front view of a safety syringe with a plunger fully depressed, the rear view is the same;
 FIG. 3 is a bottom view thereof;
 FIG. 4 is a top view thereof;
 FIG. 5 is a bottom perspective view with a plunger partially depressed;
 FIG. 6 is a bottom perspective view with a plunger fully depressed;
 FIG. 7 is a top perspective view with a plunger partially depressed; and,
 FIG. 8 is a top perspective view with a plunger fully depressed.

1 Claim, 4 Drawing Sheets

(56) **References Cited**
 U.S. PATENT DOCUMENTS

2,869,541	A *	1/1959	Helmer et al.	604/210
2,902,995	A *	9/1959	Loper	604/243
5,112,318	A *	5/1992	Novacek et al.	604/240
5,282,792	A *	2/1994	Imbert	604/187
5,395,345	A *	3/1995	Gross	604/187
5,411,489	A *	5/1995	Pagay et al.	604/218
D383,205	S *	9/1997	Pagay et al.	D24/112
D445,176	S *	7/2001	Landers	D24/114
6,319,233	B1 *	11/2001	Jansen et al.	604/192
D461,243	S *	8/2002	Niedospial, Jr.	D24/130
6,616,639	B2 *	9/2003	Gagnieux et al.	604/192
6,626,863	B1 *	9/2003	Berler	604/110
D492,404	S *	6/2004	Prais et al.	D24/112



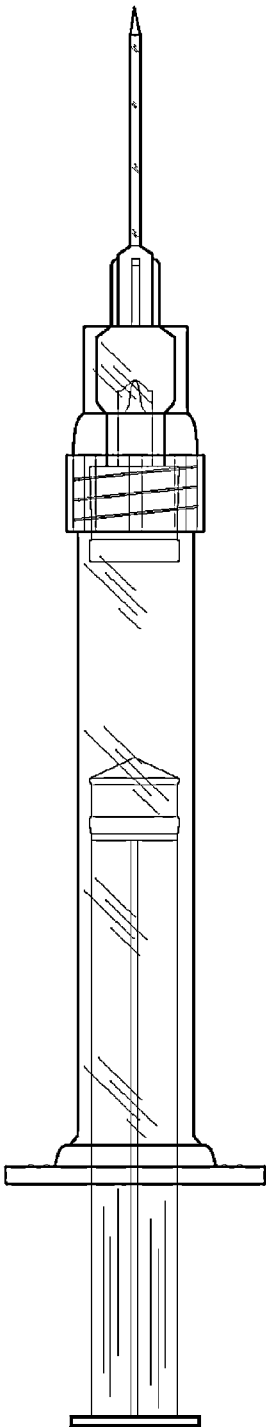


FIG. 1

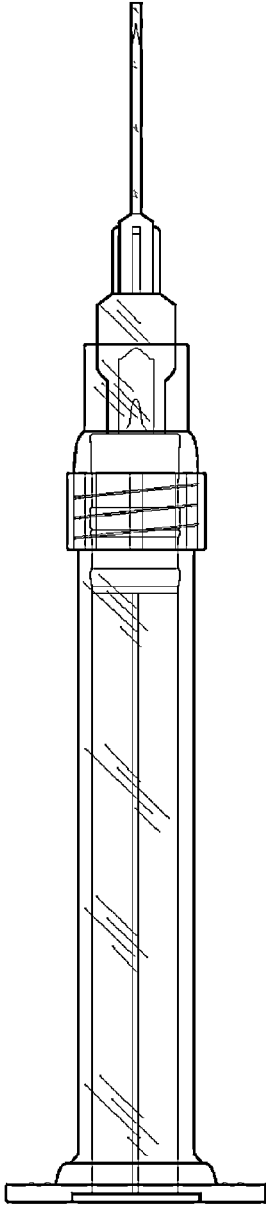


FIG. 2

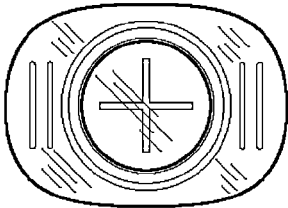


FIG. 3

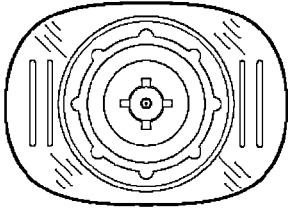


FIG. 4

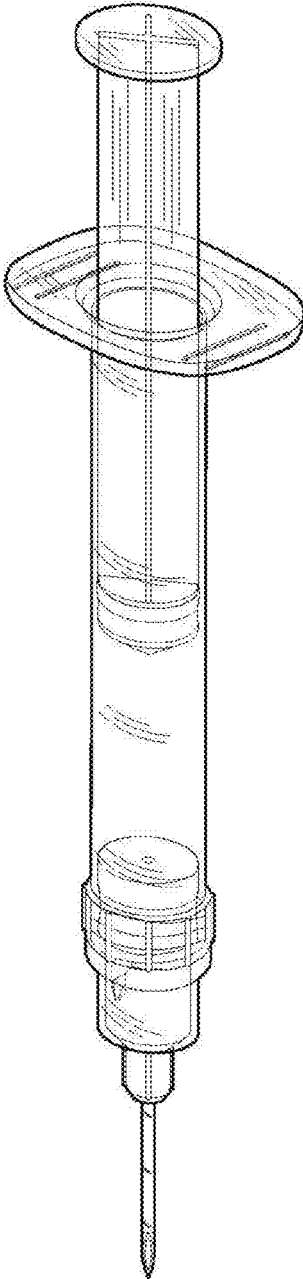


FIG. 5

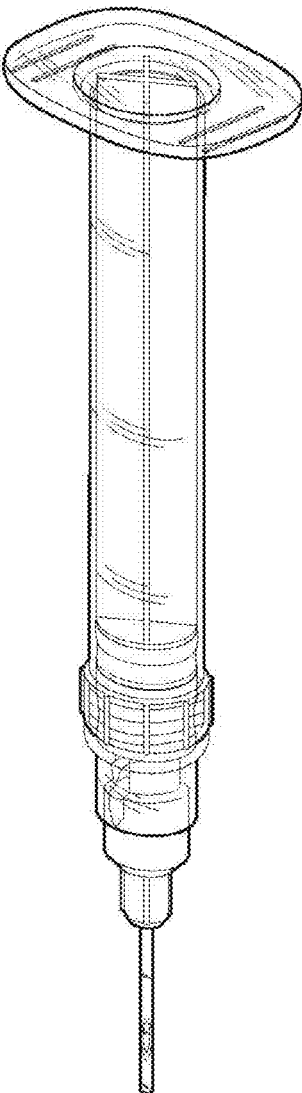


FIG. 6

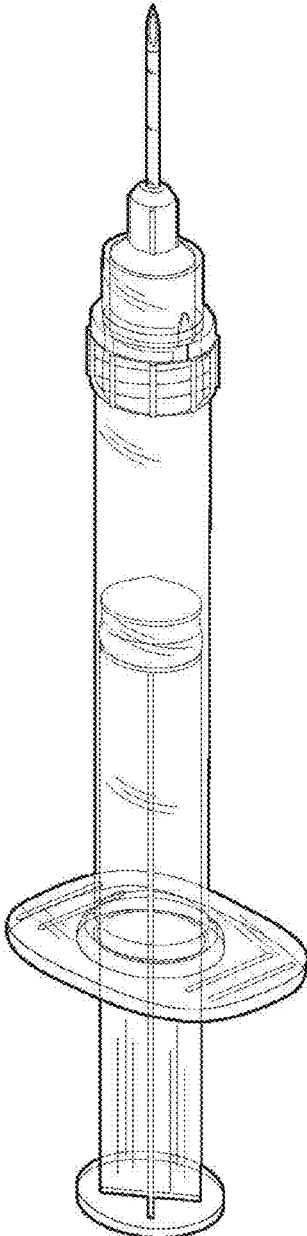


FIG. 7

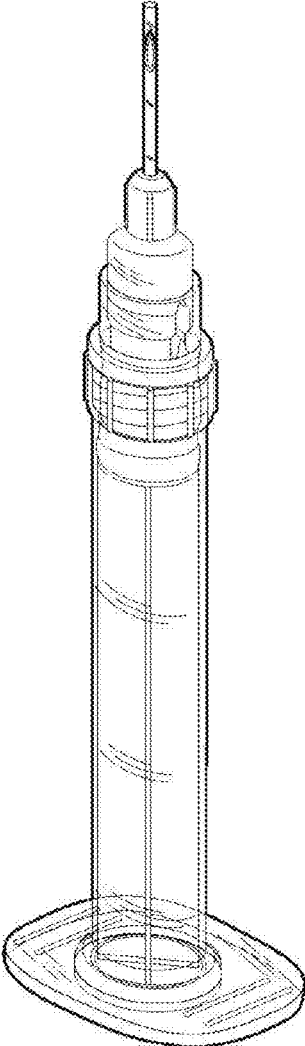


FIG. 8