



US00D746383S

(12) **United States Design Patent**
Cummings

(10) **Patent No.:** **US D746,383 S**

(45) **Date of Patent:** **** Dec. 29, 2015**

(54) **TOY CROSSBOW**
(71) Applicant: **Peter Cummings**, Tsim Sha Tsui (HK)
(72) Inventor: **Peter Cummings**, Tsim Sha Tsui (HK)
(73) Assignee: **KMA Concepts Limited**, Tsim Sha Tsui, Kowloon (HK)
(**) Term: **14 Years**

(21) Appl. No.: **29/455,281**

(22) Filed: **May 19, 2013**

(51) **LOC (10) Cl.** **21-01**

(52) **U.S. Cl.**
USPC **D21/571**

(58) **Field of Classification Search**
USPC D21/574, 573, 570, 571, 575, 567, 145,
D21/568, 569, 572; 124/16, 23.1, 35.2,
124/25.7, 45, 82, 20.1, 27; 222/79;
446/400, 401, 403; D22/100, 104, 108,
D22/107, 106, 102
CPC A63F 9/0252; F41B 5/0094; F41B 5/10
See application file for complete search history.

(56) **References Cited**

U.S. PATENT DOCUMENTS

2,500,509 A * 3/1950 Bailey 124/25
D186,987 S * 1/1960 Dickinson D21/571

4,603,676 A * 8/1986 Luoma 124/25
5,630,405 A * 5/1997 Nizov 124/25
5,823,172 A * 10/1998 Suggitt 124/25
8,453,631 B1 * 6/2013 Kronengold et al. 124/25
D716,398 S * 10/2014 Barnett D22/107
8,991,375 B2 * 3/2015 McPherson 124/25
2010/0170488 A1 * 7/2010 Rasor et al. 124/25
2011/0203561 A1 * 8/2011 Shaffer et al. 124/25
2012/0006311 A1 * 1/2012 Bednar et al. 124/25
2014/0069402 A1 * 3/2014 McPherson 124/25

* cited by examiner

Primary Examiner — Robert M Spear
Assistant Examiner — Kendra L Hamilton
(74) *Attorney, Agent, or Firm* — LaMorte & Associates, P.C.

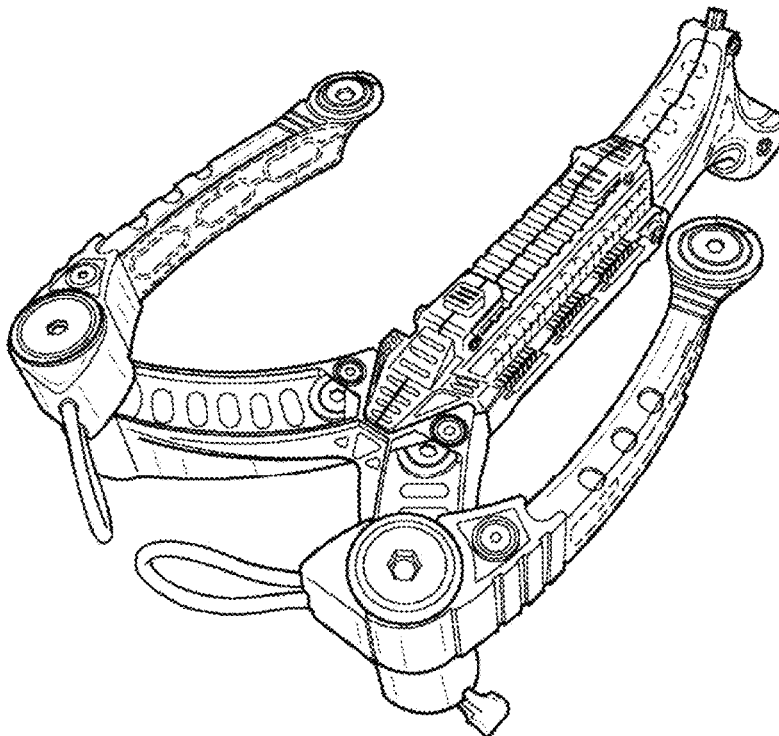
(57) **CLAIM**

The ornamental design for a toy crossbow, as shown and described.

DESCRIPTION

FIG. 1 is a top and left perspective view of a toy crossbow;
FIG. 2 is a left side view thereof;
FIG. 3 is a right side view thereof;
FIG. 4 is a front view thereof;
FIG. 5 is a rear view thereof;
FIG. 6 is a top view thereof; and,
FIG. 7 is a bottom view thereof.
Portions of the disclosure shown in broken lines form no part of the claimed design.

1 Claim, 5 Drawing Sheets



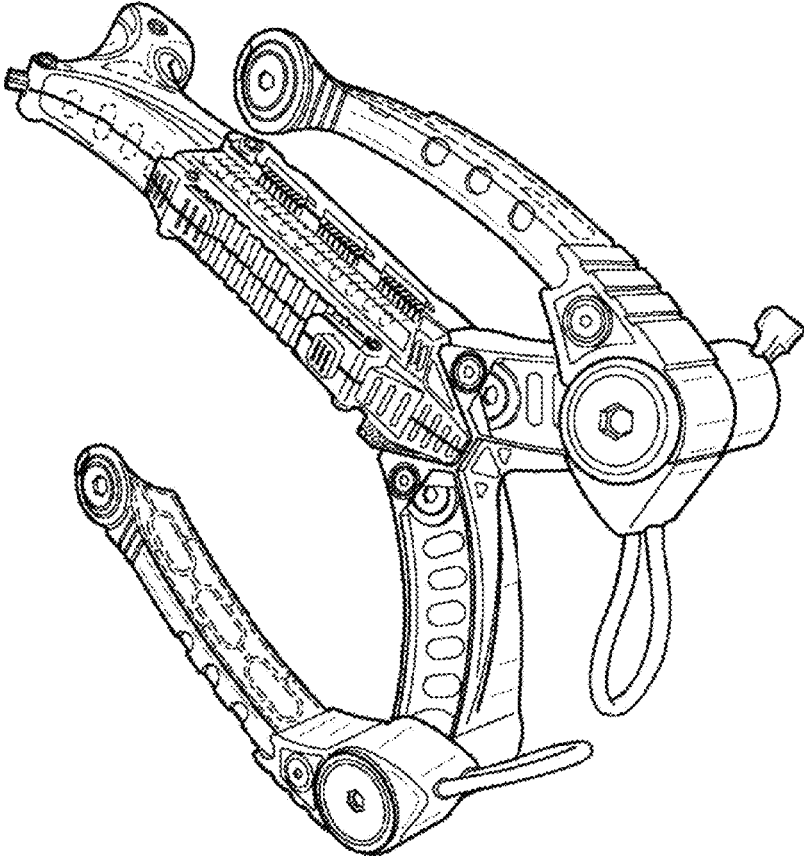


FIG. 1

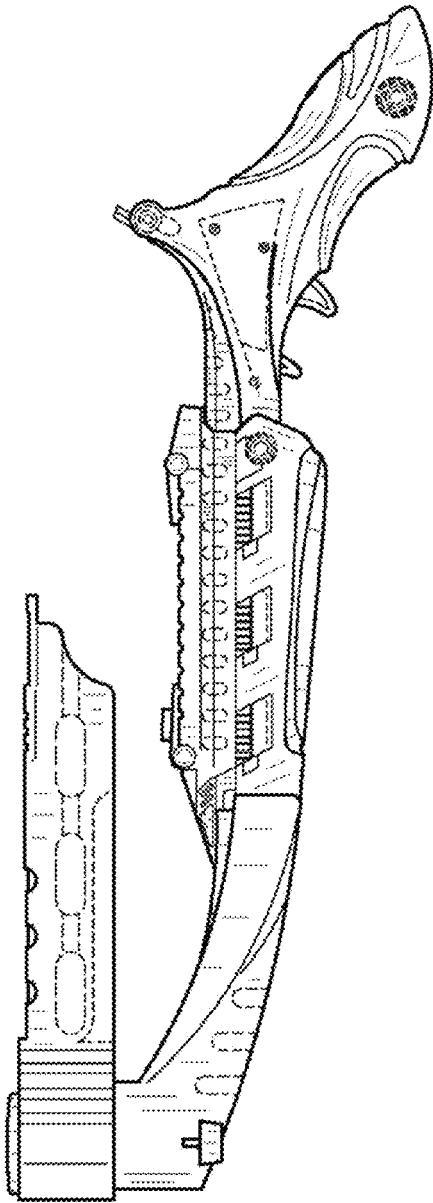


FIG. 2

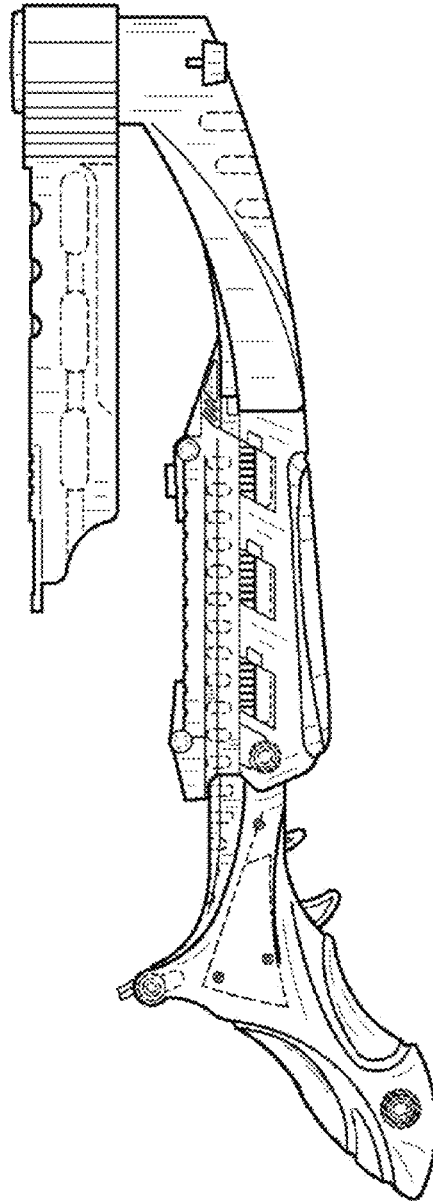


FIG. 3

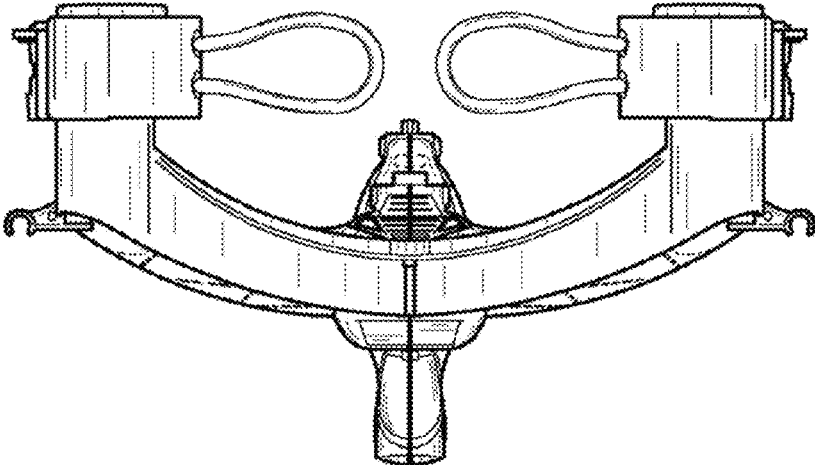


FIG. 4

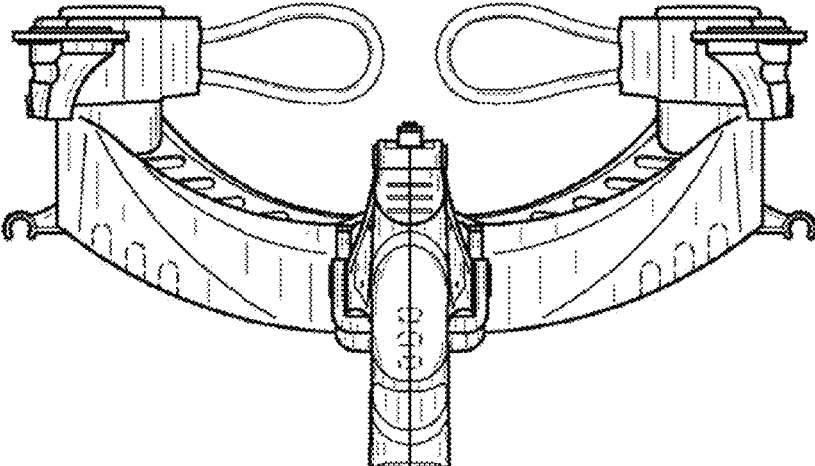


FIG. 5

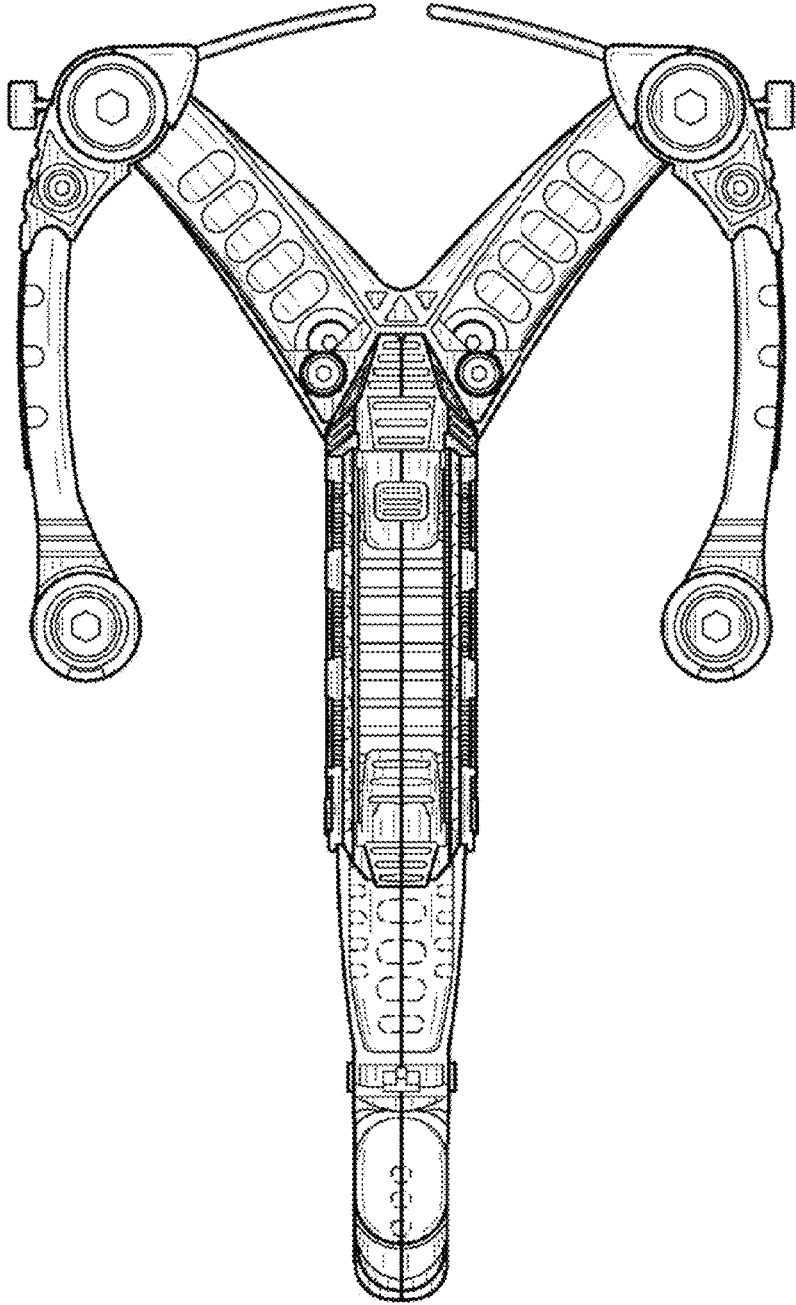


FIG. 6

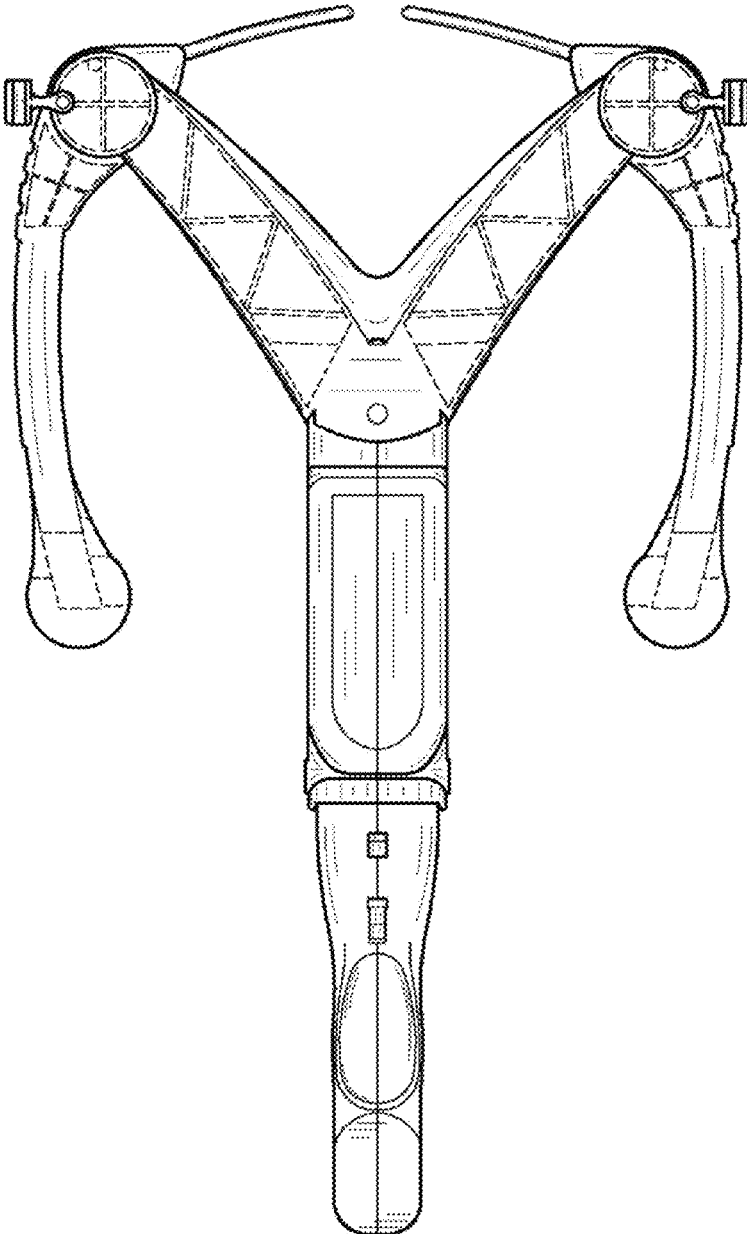


FIG. 7