



US00D548491S

(12) **United States Design Patent**
Cohen

(10) **Patent No.:** **US D548,491 S**

(45) **Date of Patent:** **** Aug. 14, 2007**

(54) **COOLER WITH SLOPED FACE**

(76) Inventor: **Warren Cohen**, 10981 Decatur Rd.,
Philadelphia, PA (US) 19154

(**) Term: **14 Years**

(21) Appl. No.: **29/266,301**

(22) Filed: **Sep. 19, 2006**

(51) **LOC (8) Cl.** **06-04**

(52) **U.S. Cl.** **D6/471**

(58) **Field of Classification Search** **D6/436,**
D6/470, 471; D15/83-85, 87, 79-91; 62/246,
62/252, 449, 440, 441, 448, 457.9; 312/114,
312/204, 116; 96/118

See application file for complete search history.

(56) **References Cited**

U.S. PATENT DOCUMENTS

1,647,785	A	*	11/1927	Coughlin	96/118
3,729,243	A	*	4/1973	Musgrave et al.	312/116
4,505,131	A	*	3/1985	Boxall	62/407
D278,193	S	*	4/1985	Boxall	D6/471
D321,197	S	*	10/1991	Sekine et al.	D15/83
D365,828	S	*	1/1996	Lacewell et al.	D15/87
D379,465	S	*	5/1997	Peterson, Jr.	D15/84
D430,173	S	*	8/2000	Tombs	D15/85

D438,404	S	*	3/2001	Topper et al.	D6/470
D439,913	S	*	4/2001	Jobst	D15/84
D449,845	S	*	10/2001	Reese et al.	D15/83
D454,448	S	*	3/2002	Reese et al.	D6/470
D494,383	S	*	8/2004	Lee	D6/436
D506,886	S	*	7/2005	Duffy et al.	D6/471

* cited by examiner

Primary Examiner—Cathron C. Brooks

Assistant Examiner—Kelley A. Donnelly

(74) *Attorney, Agent, or Firm*—LaMorte & Associates

(57) **CLAIM**

The ornamental design for a cooler with sloped face, as shown and described.

DESCRIPTION

FIG. 1 is a perspective view of a cooler with sloped face;

FIG. 2 is a top view thereof;

FIG. 3 is a bottom view thereof;

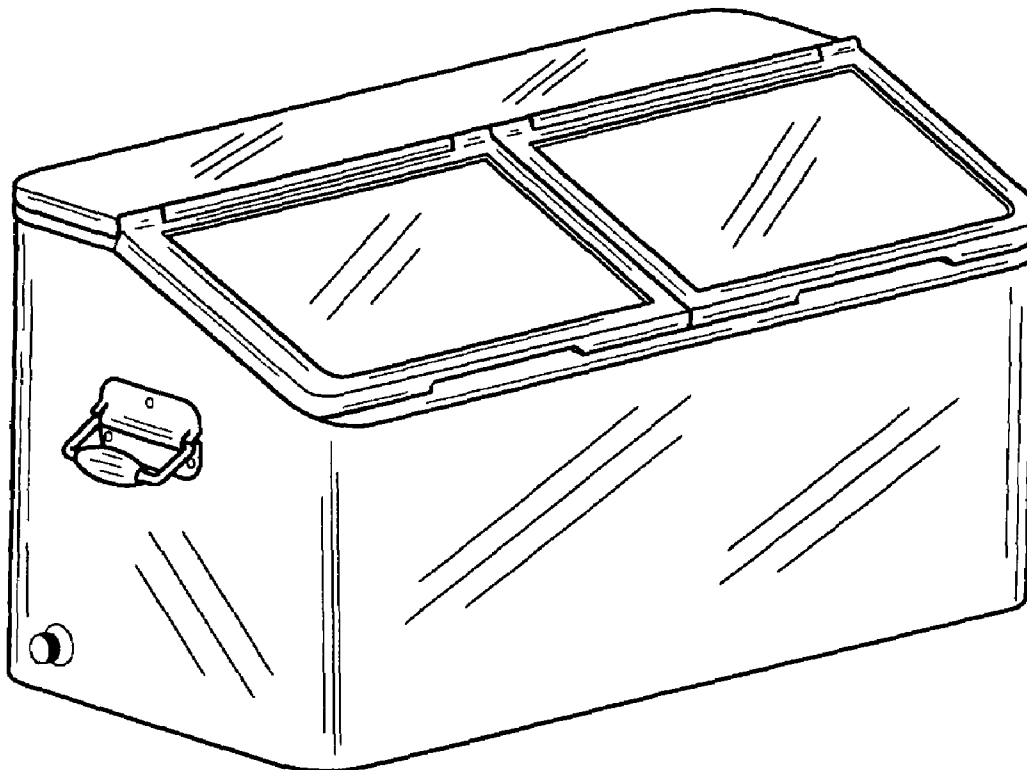
FIG. 4 is a front view thereof;

FIG. 5 is a rear view thereof;

FIG. 6 is a right side view thereof; and,

FIG. 7 is a left side view thereof.

1 Claim, 7 Drawing Sheets



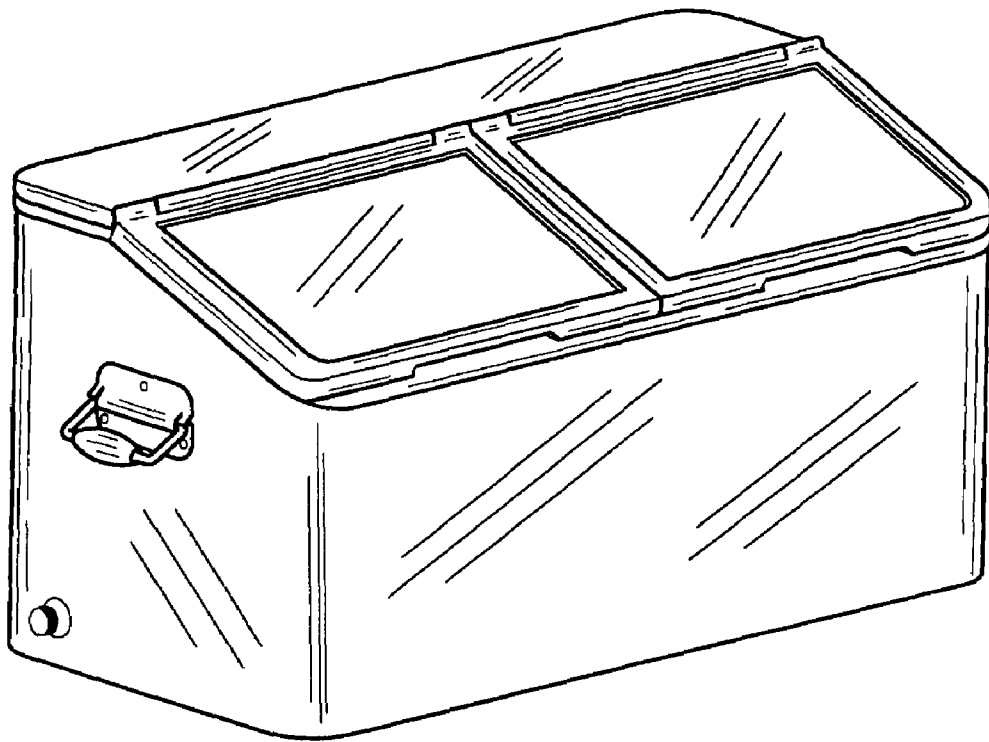


FIG. 1

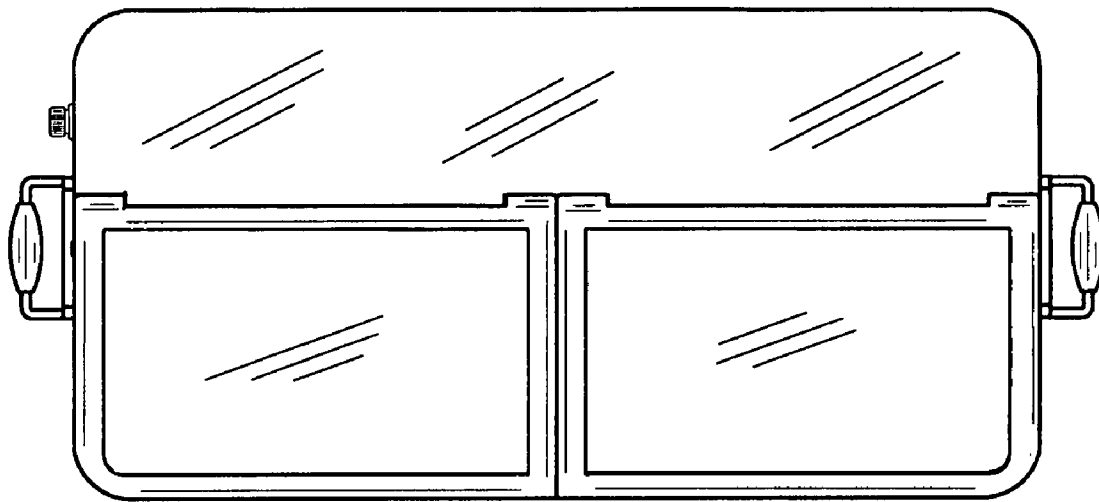


FIG. 2

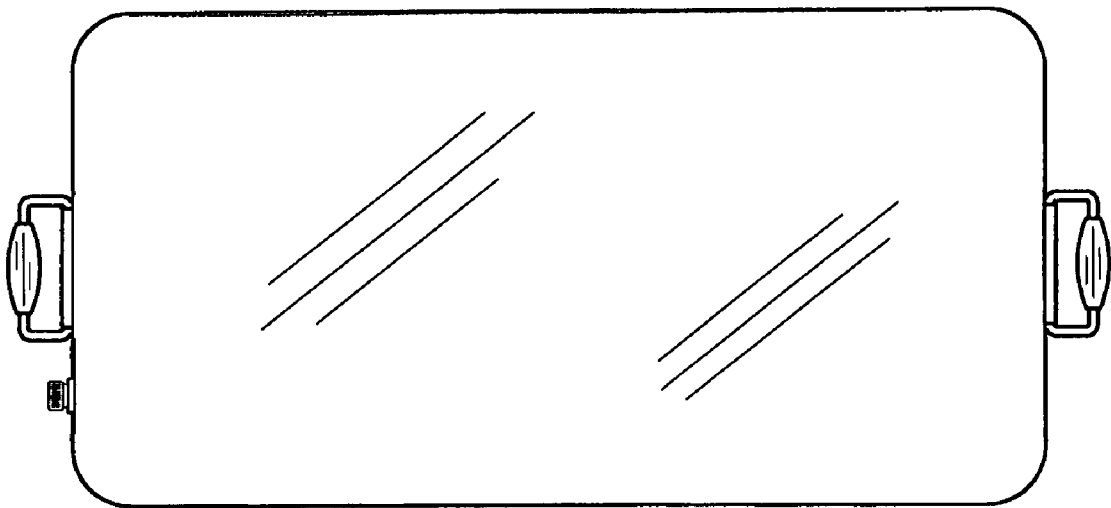


FIG. 3

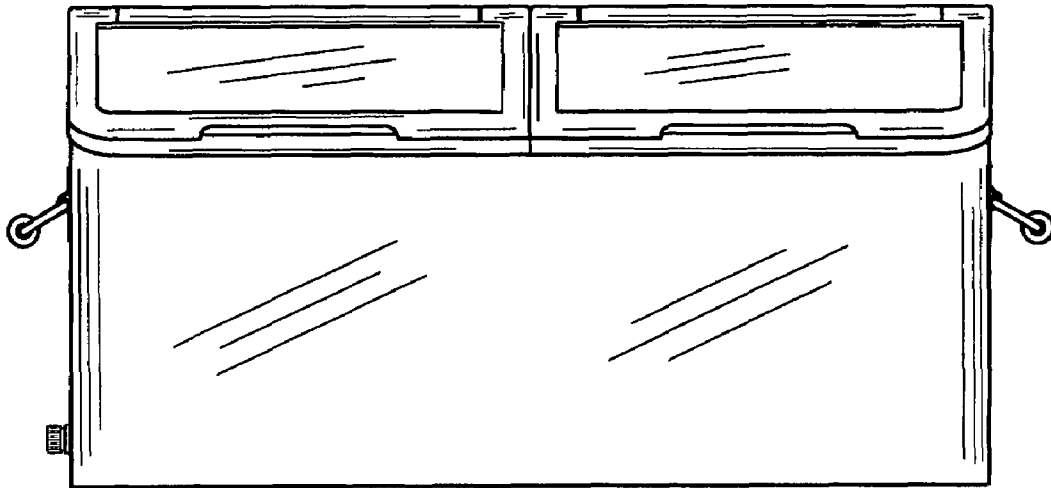


FIG. 4

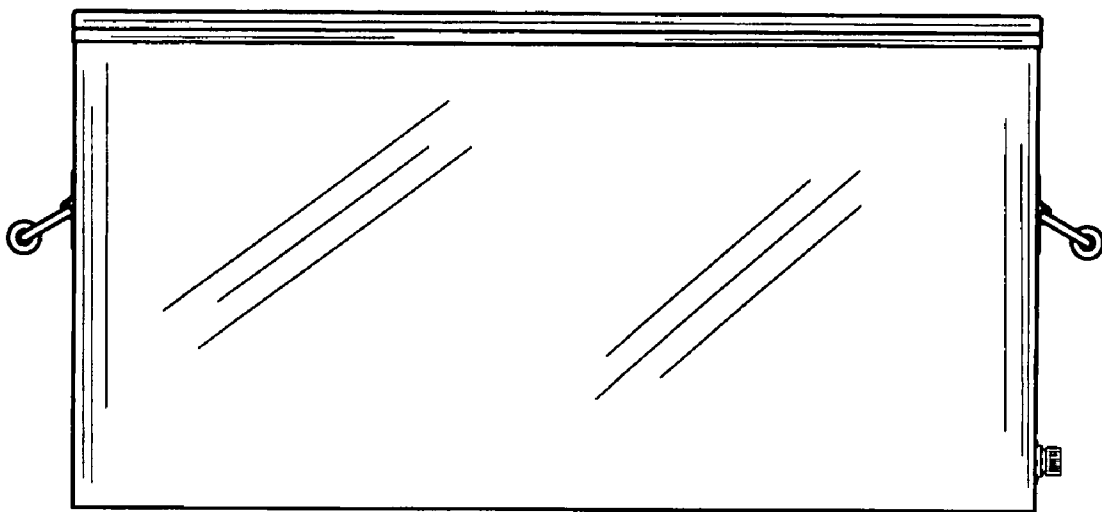


FIG. 5

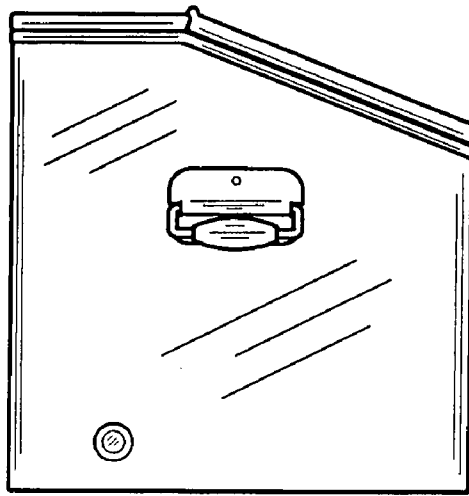


FIG. 6

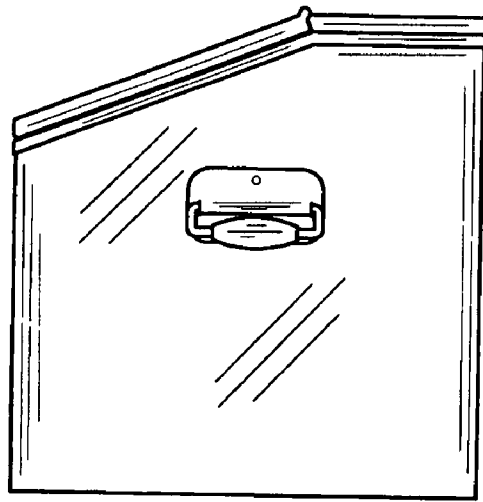


FIG. 7