



US00D571113S

(12) **United States Design Patent**  
**Cohen**

(10) **Patent No.:** **US D571,113 S**

(45) **Date of Patent:** **\*\* Jun. 17, 2008**

(54) **WHEELED FOLDING CHAIR**

(76) Inventor: **Warren Cohen**, 10981 Decatur Rd.,  
Philadelphia, PA (US) 19154

(\*\*) Term: **14 Years**

(21) Appl. No.: **29/266,309**

(22) Filed: **Sep. 19, 2006**

(51) **LOC (8) Cl.** ..... **06-01**

(52) **U.S. Cl.** ..... **D6/368**

(58) **Field of Classification Search** ..... D6/334-336,  
D6/361, 367, 368, 370, 373-375, 379, 380,  
D6/500-502; D34/24, 26; 297/118, 129,  
297/377, 452.2, 452.13; 280/30

See application file for complete search history.

(56) **References Cited**

**U.S. PATENT DOCUMENTS**

D168,429 S *	12/1952	Williams	.....	D6/361
D194,461 S *	1/1963	Schultz	.....	D6/361
D285,871 S *	9/1986	Stenwall	.....	D6/336
4,645,262 A *	2/1987	Furubotten	.....	297/129
D288,991 S *	3/1987	Noga	.....	D6/368
4,659,142 A *	4/1987	Kuchinsky, Jr.	.....	297/118

D294,892 S *	3/1988	Hubert	.....	D6/370
4,733,905 A *	3/1988	Buickerood et al.	.....	297/129
5,356,160 A *	10/1994	Urlwin	.....	280/30
D353,496 S *	12/1994	Dones et al.	.....	D6/368
D394,356 S *	5/1998	Chen	.....	D6/361
D515,324 S *	2/2006	Grosfillex	.....	D6/361

\* cited by examiner

*Primary Examiner*—Mimosa De

(74) *Attorney, Agent, or Firm*—LaMorte & Associates

(57) **CLAIM**

The ornamental design for a wheeled folding chair, as shown and described.

**DESCRIPTION**

FIG. 1 is a perspective view of a wheeled folding chair;

FIG. 2 is a top view thereof;

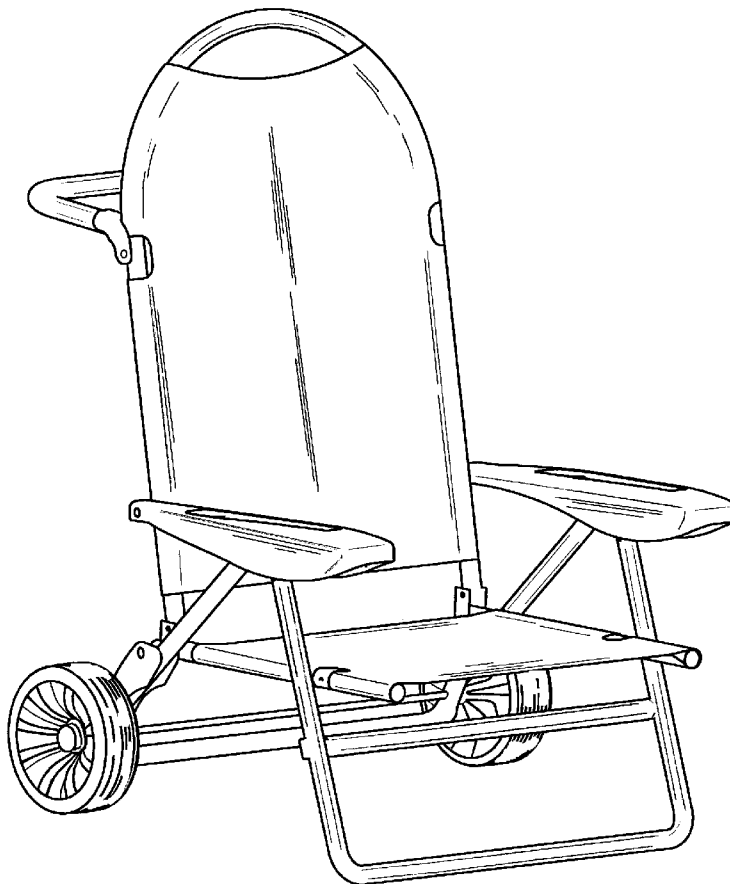
FIG. 3 is a bottom view thereof;

FIG. 4 is a front view thereof;

FIG. 5 is a rear view thereof; and,

FIG. 6 is a right side view thereof, the left side view being a mirror image thereof.

**1 Claim, 6 Drawing Sheets**



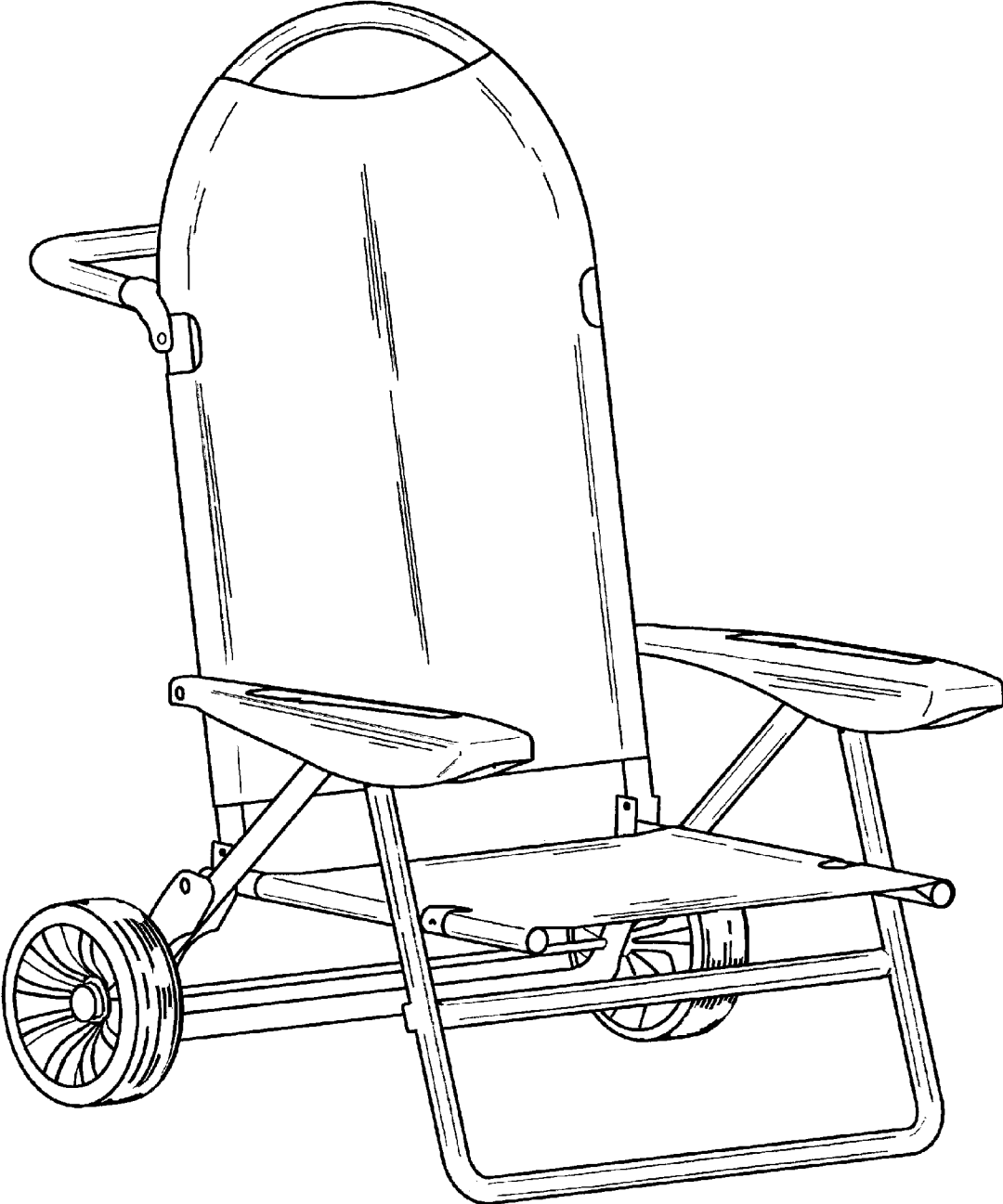


FIG. 1

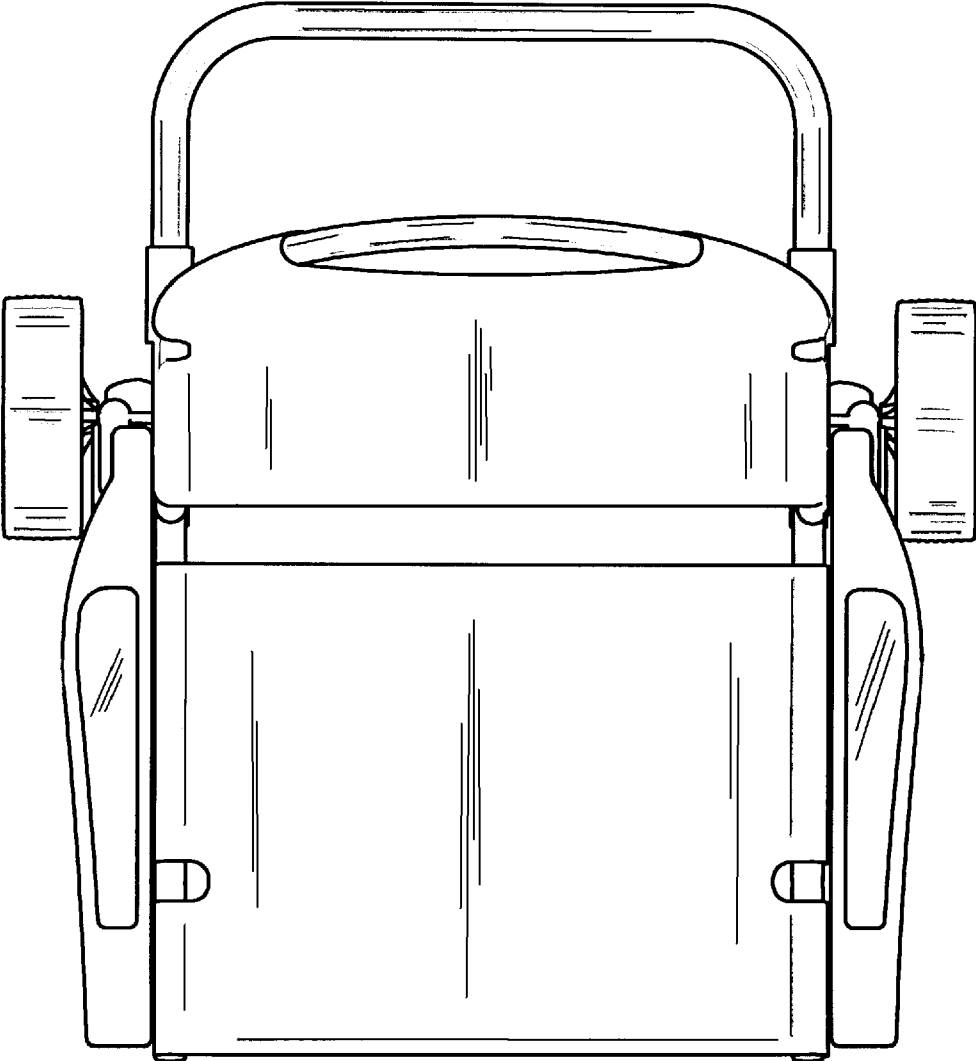


FIG. 2

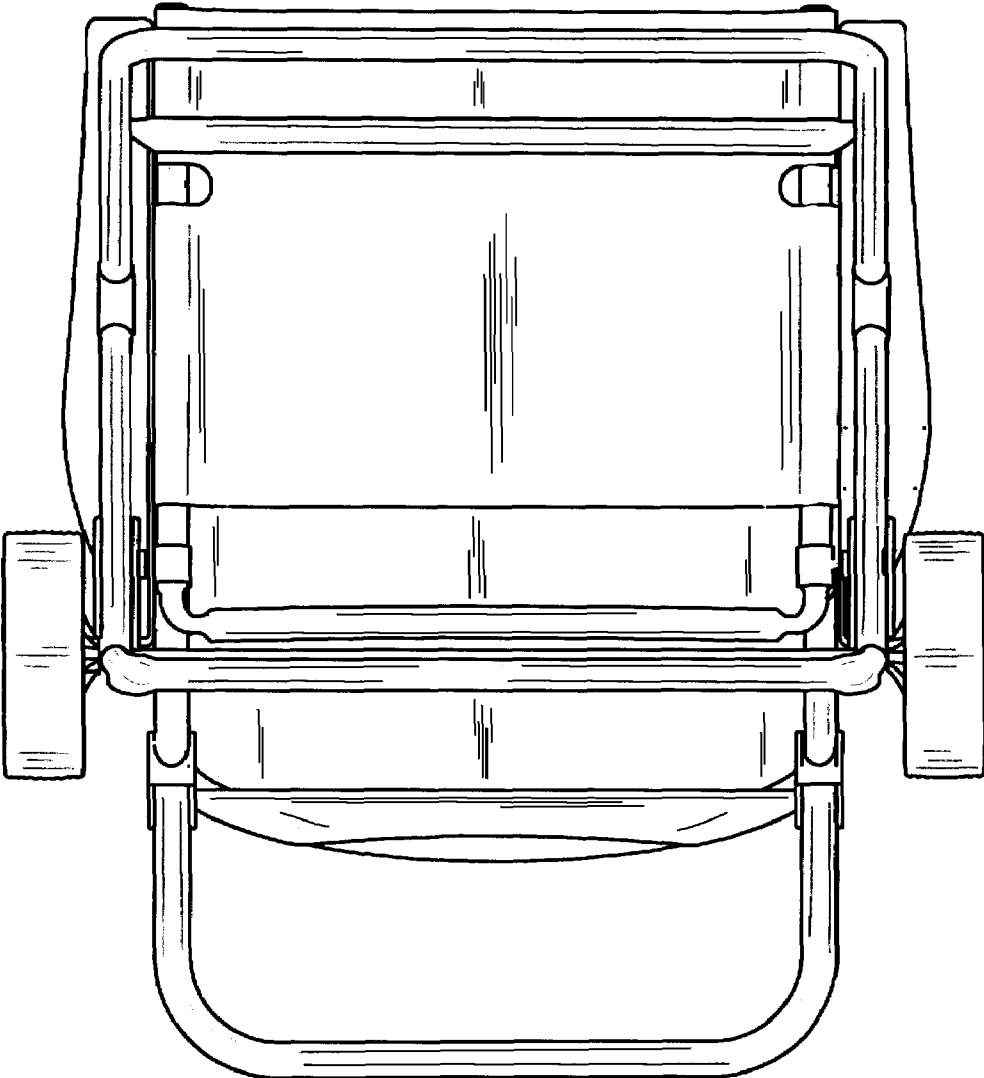


FIG. 3

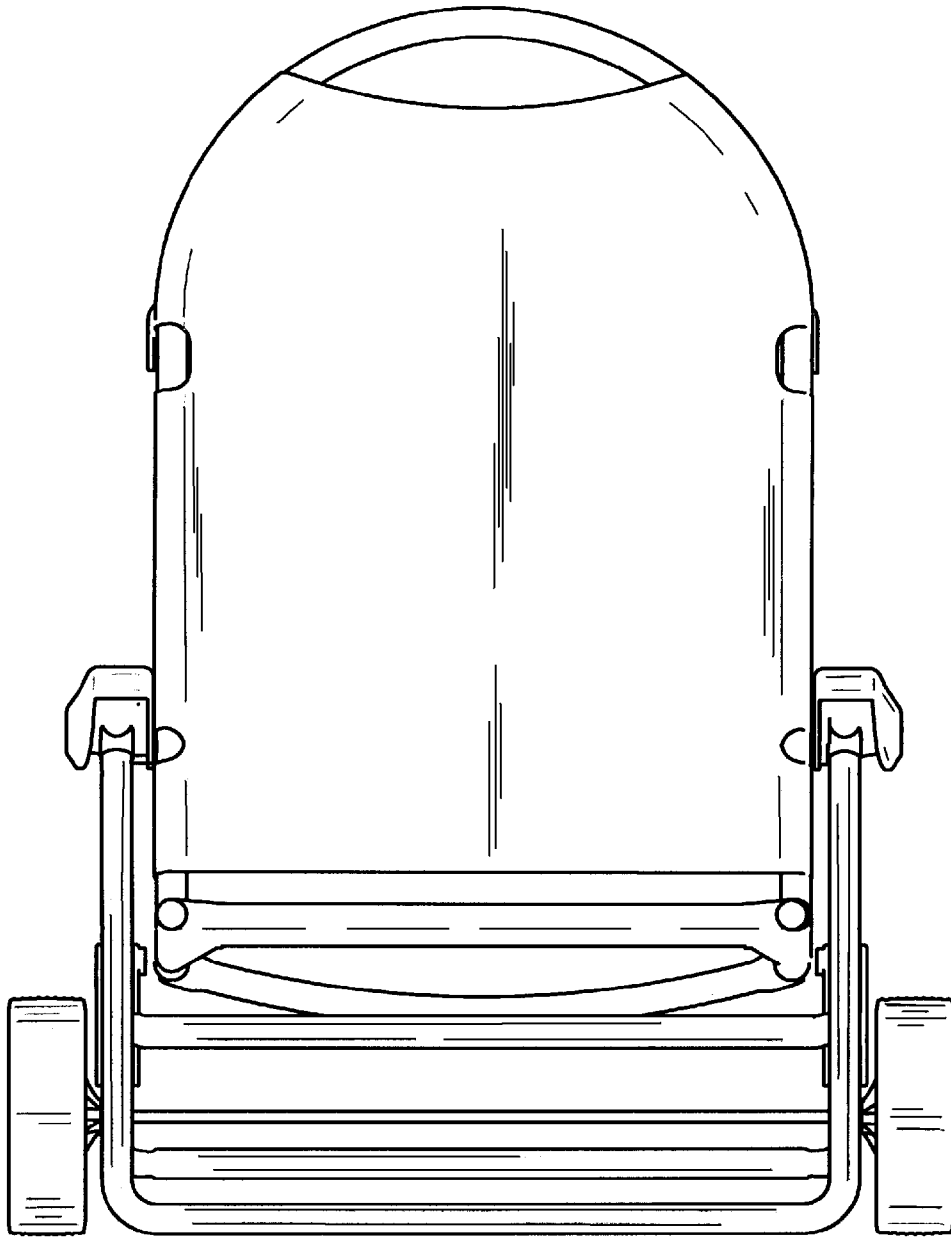


FIG. 4

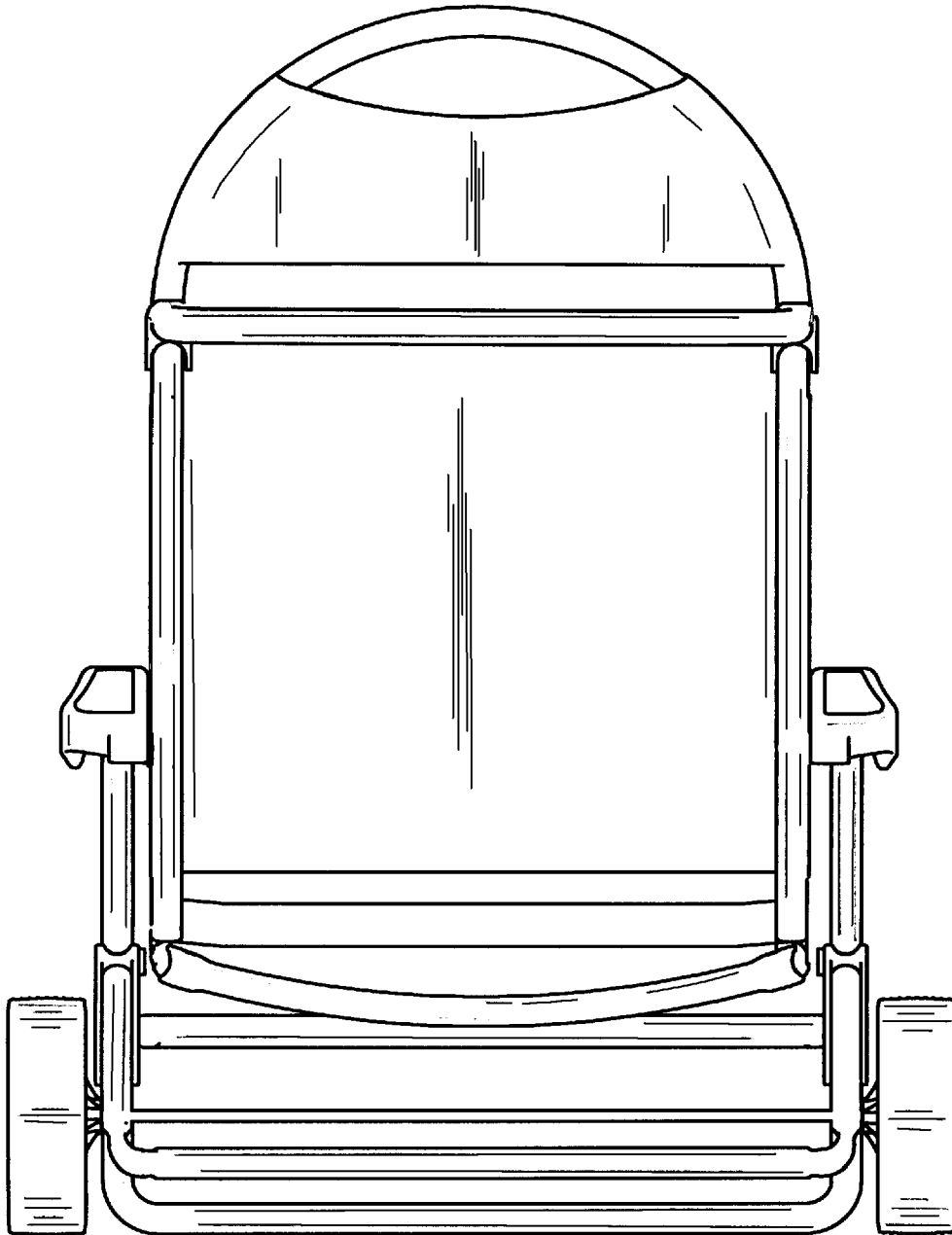


FIG. 5

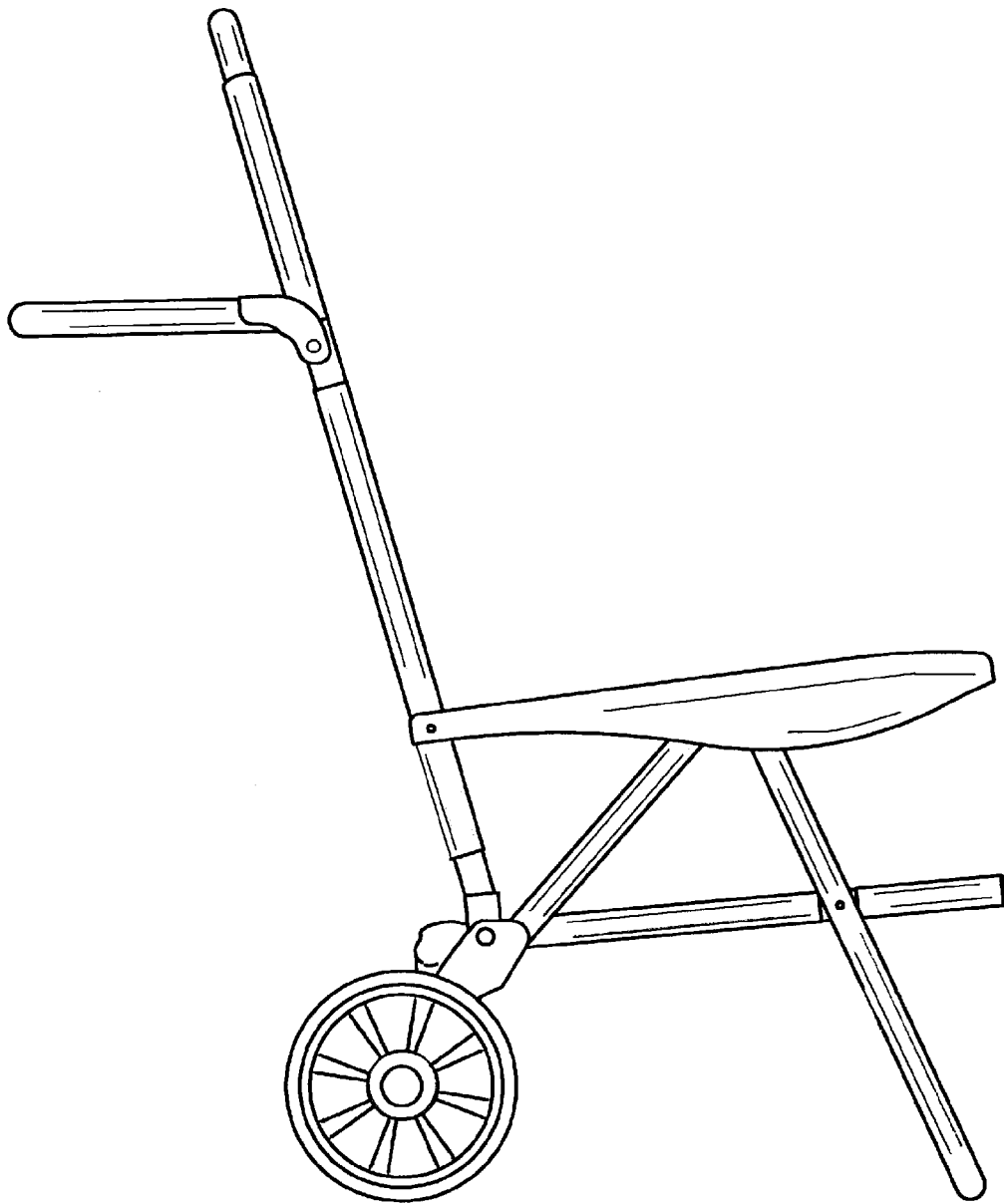


FIG. 6