

US00D571115S

(12) **United States Design Patent**
Cohen

(10) **Patent No.:** **US D571,115 S**

(45) **Date of Patent:** **** Jun. 17, 2008**

(54) **FOLDING BACKPACK CHAIR**

(76) Inventor: **Warren Cohen**, 10981 Decatur Rd.,
Philadelphia, PA (US) 19154

(**) Term: **14 Years**

(21) Appl. No.: **29/293,563**

(22) Filed: **Dec. 3, 2007**

(51) **LOC (8) Cl.** **06-01**

(52) **U.S. Cl.** **D6/368**

(58) **Field of Classification Search** D6/334-336,
D6/361, 367, 368, 374, 375, 379, 380, 500-502;
297/16.1, 16.2, 35, 39, 40, 59, 129, 394,
297/188.01, 188.06, 452.13

See application file for complete search history.

(56) **References Cited**

U.S. PATENT DOCUMENTS

D168,429	S	*	12/1952	Williams	D6/361
D225,146	S	*	11/1972	Kettler	D6/368
4,273,380	A	*	6/1981	Silvestri	297/188.06
D268,976	S	*	5/1983	Ross	D6/502
4,676,548	A	*	6/1987	Bradbury	297/129
5,139,308	A	*	8/1992	Ziman	297/188.06
D338,782	S	*	8/1993	Gibson et al.	D6/368
D365,451	S	*	12/1995	Shahid	D6/336
D378,476	S	*	3/1997	Spaeth	D6/367
D396,964	S	*	8/1998	Mullins	D6/368
D417,561	S	*	12/1999	Liu	D6/368
D438,394	S	*	3/2001	Tseng	D6/368

6,511,122	B1	*	1/2003	Chen	297/16.2
D494,769	S	*	8/2004	Vigneaud	D6/368
7,086,694	B1	*	8/2006	Huang	297/39
2002/0125744	A1	*	9/2002	Tseng	297/16.1

* cited by examiner

Primary Examiner—Mimosa De

(74) *Attorney, Agent, or Firm*—LaMorte & Associates

(57) **CLAIM**

The ornamental design for a folding backpack chair, as shown and described.

DESCRIPTION

FIG. 1 is a front view of a folding backpack chair in an open configuration;

FIG. 2 is a back view thereof;

FIG. 3 is a right side view thereof;

FIG. 4 is a left side view thereof;

FIG. 5 is a top view thereof;

FIG. 6 is a bottom view thereof;

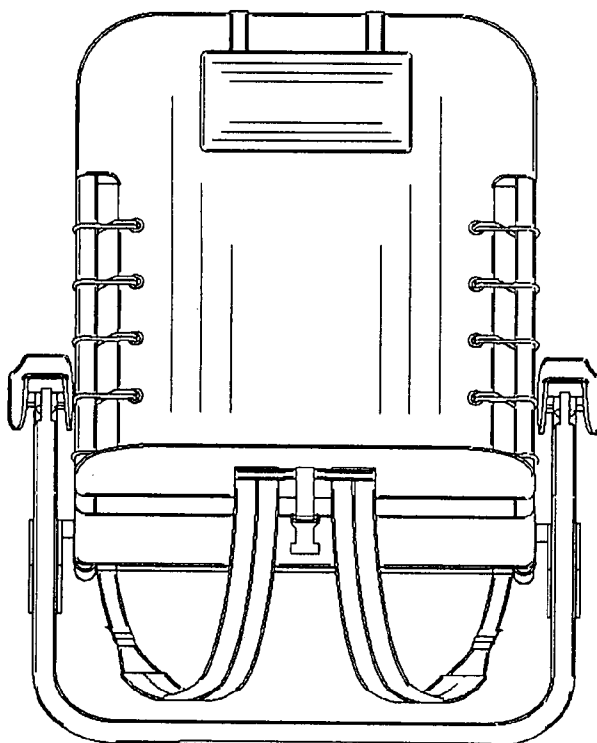
FIG. 7 is a back view thereof in a folded configuration;

FIG. 8 is a front view thereof in a folded configuration;

FIG. 9 is a right side view thereof in a folded configuration; and,

FIG. 10 is a left side view thereof in a folded configuration.

1 Claim, 10 Drawing Sheets



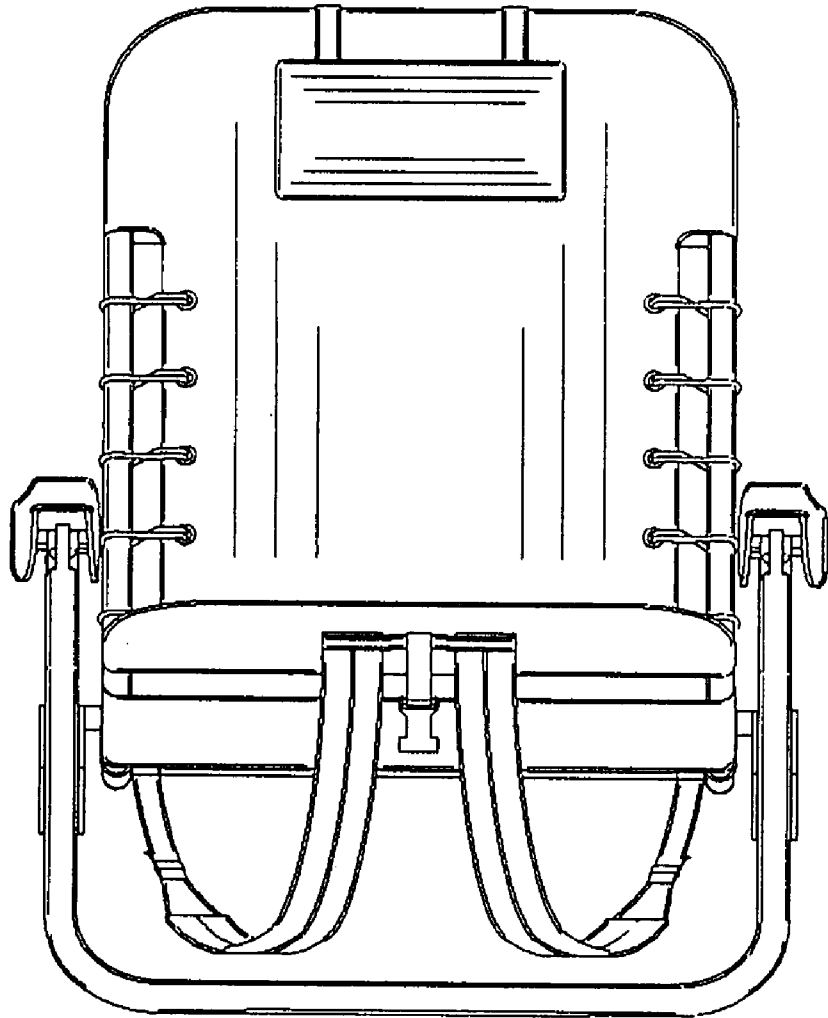


FIG. 1

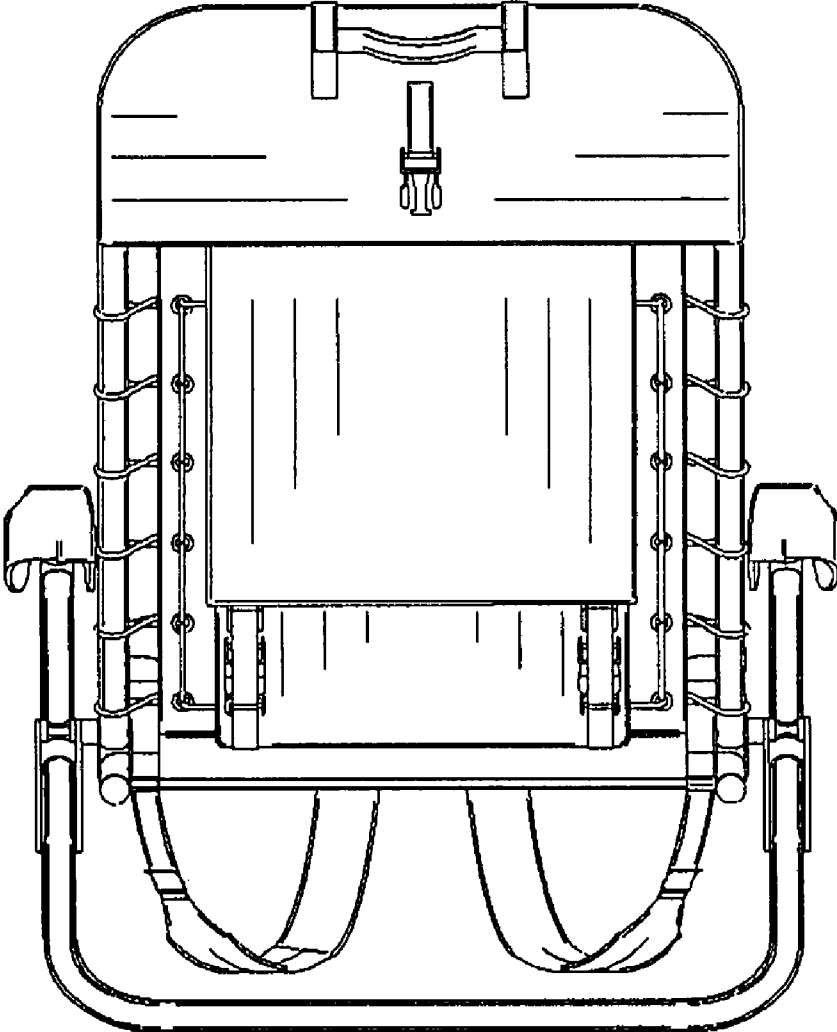


FIG. 2

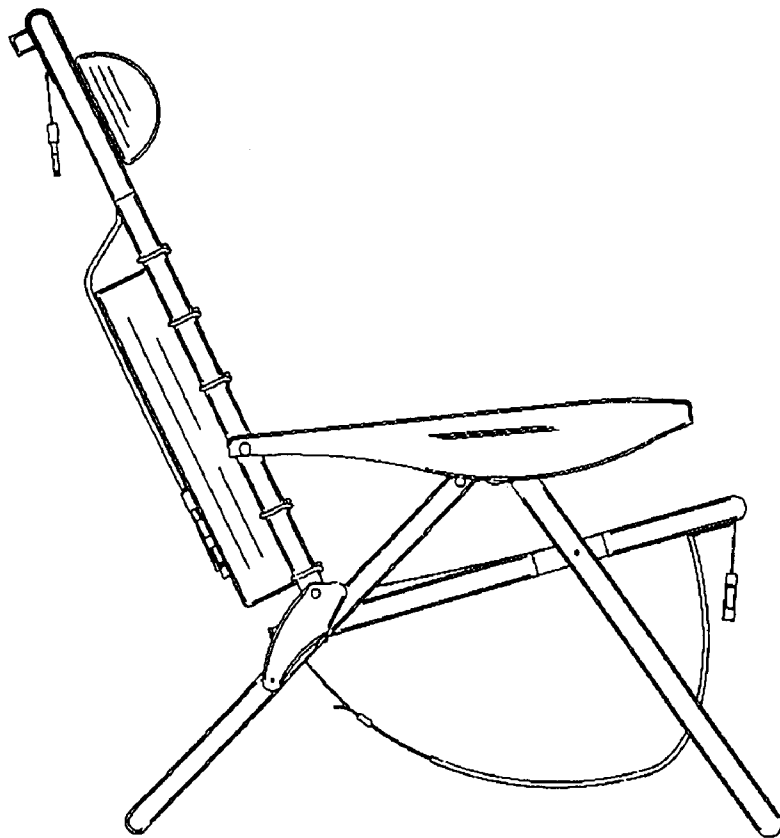


FIG. 3

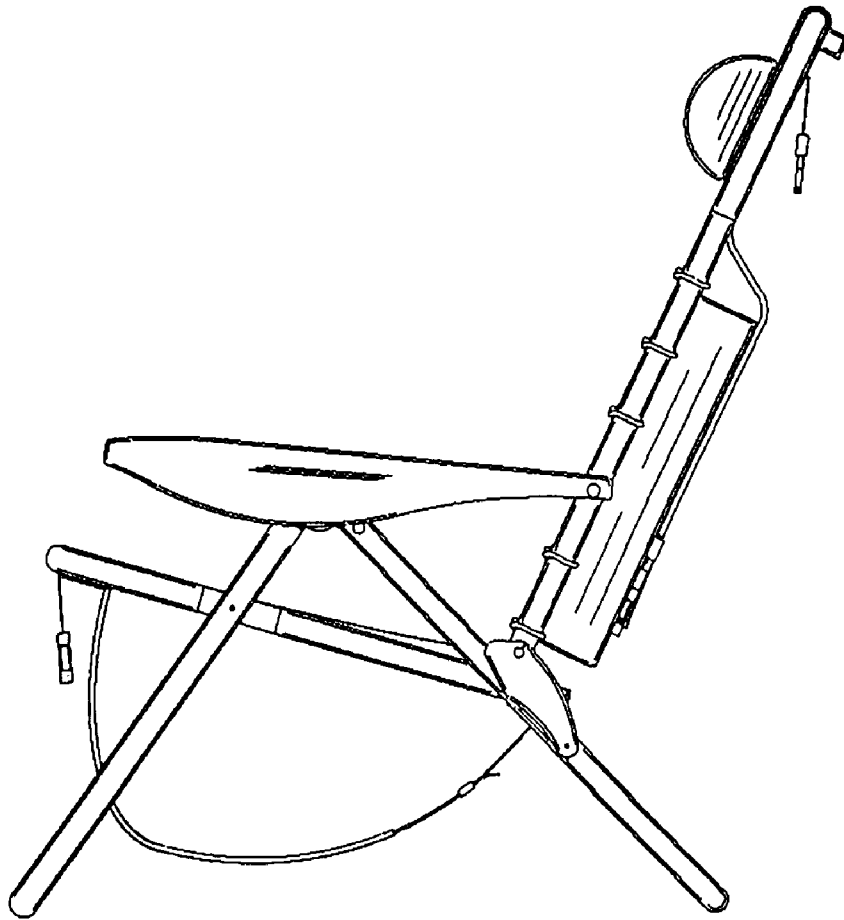


FIG. 4

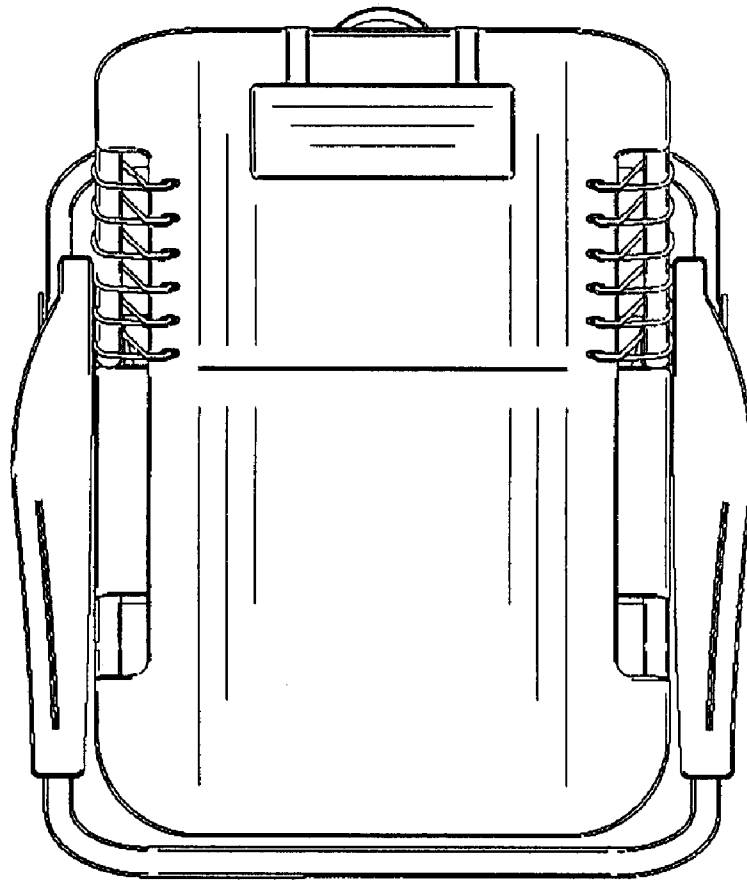


FIG. 5

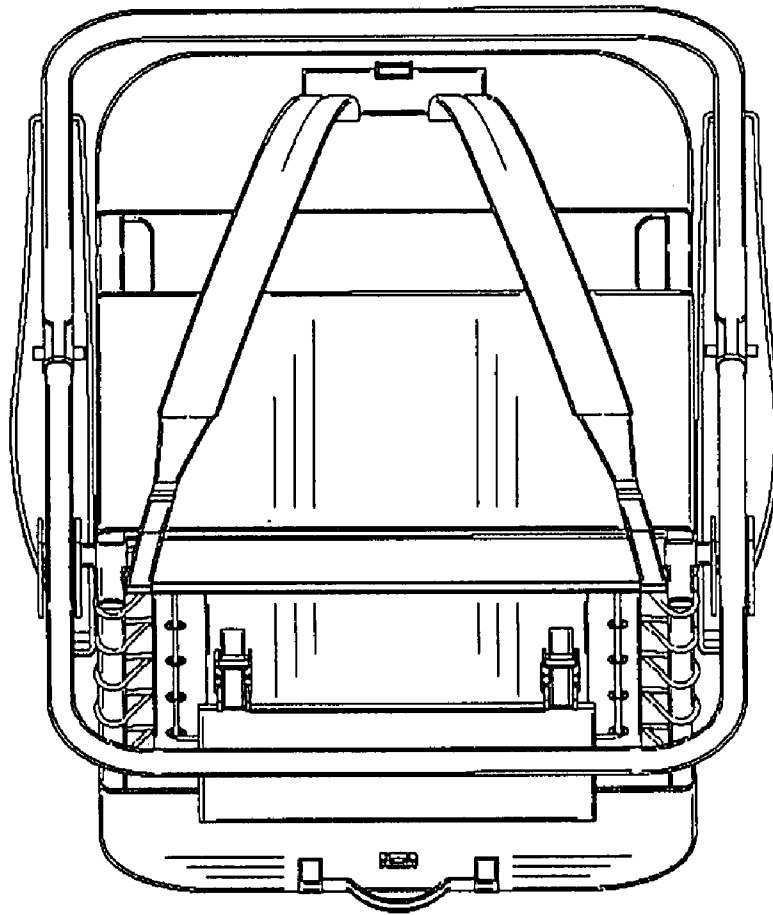


FIG. 6

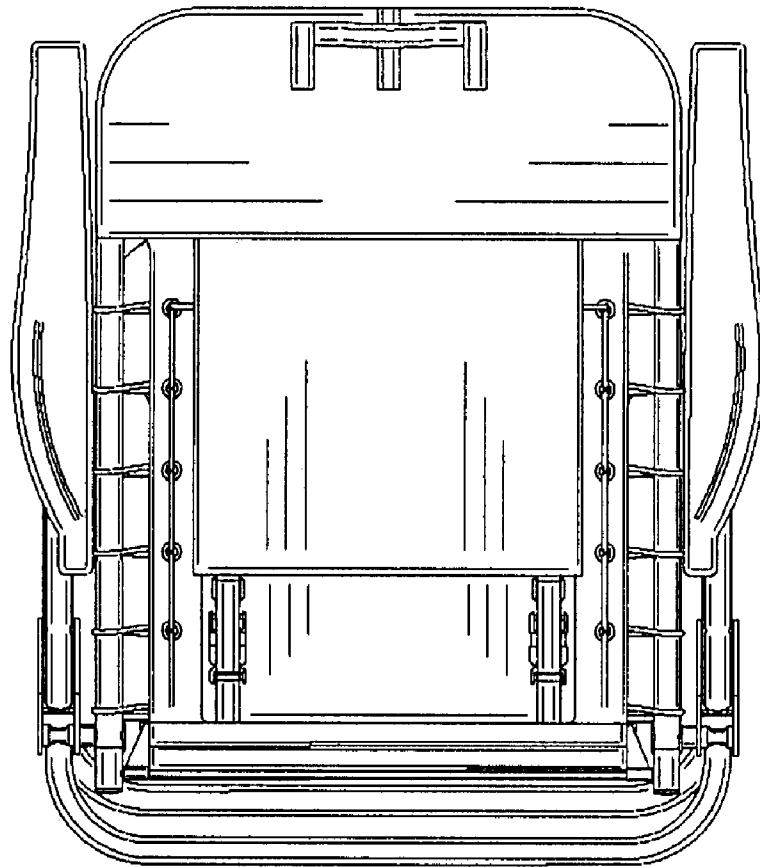


FIG. 7

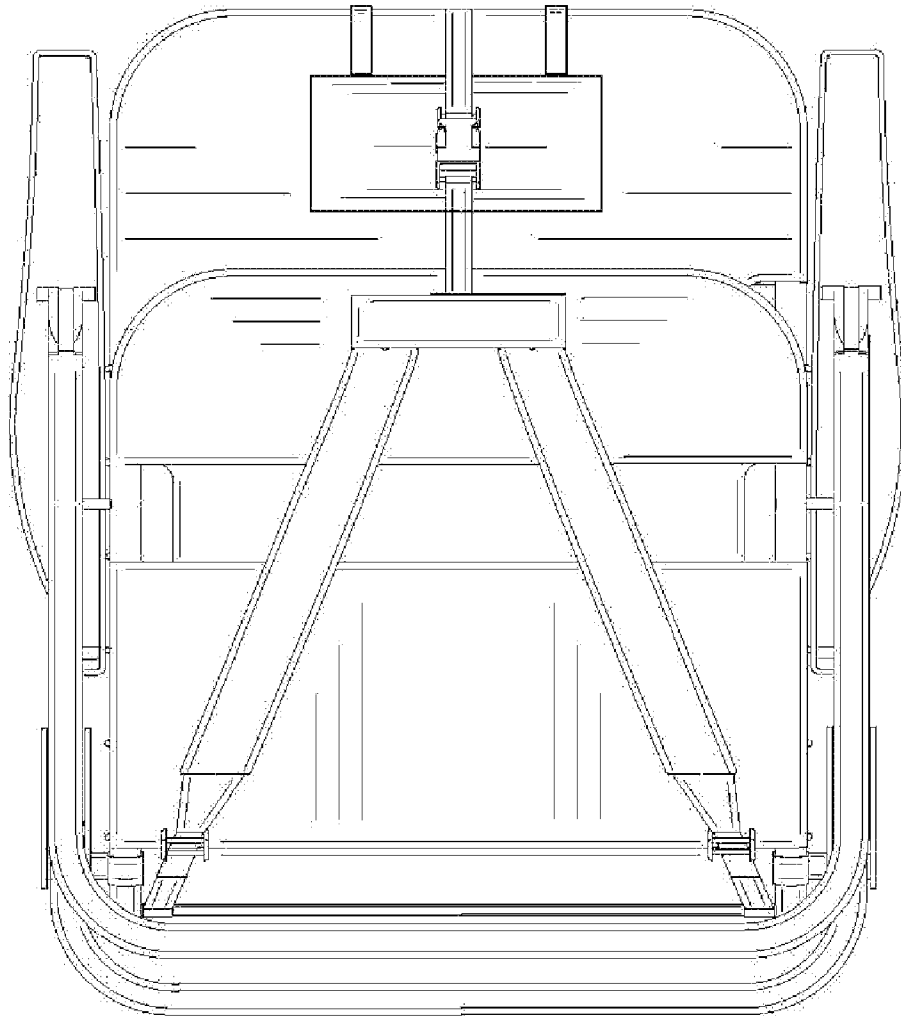


FIG. 8

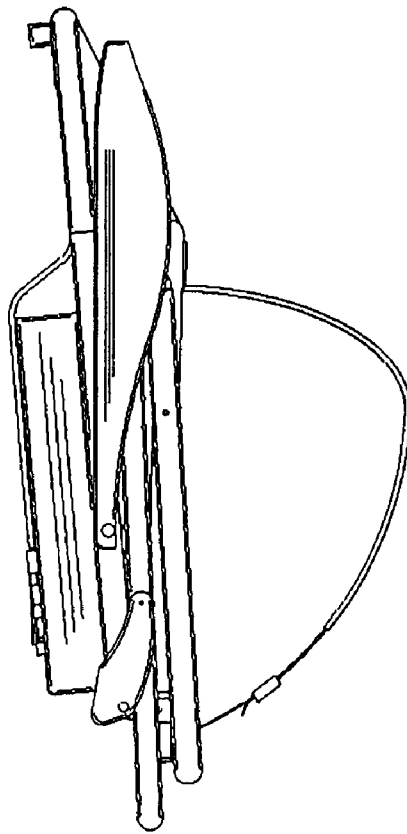


FIG. 9

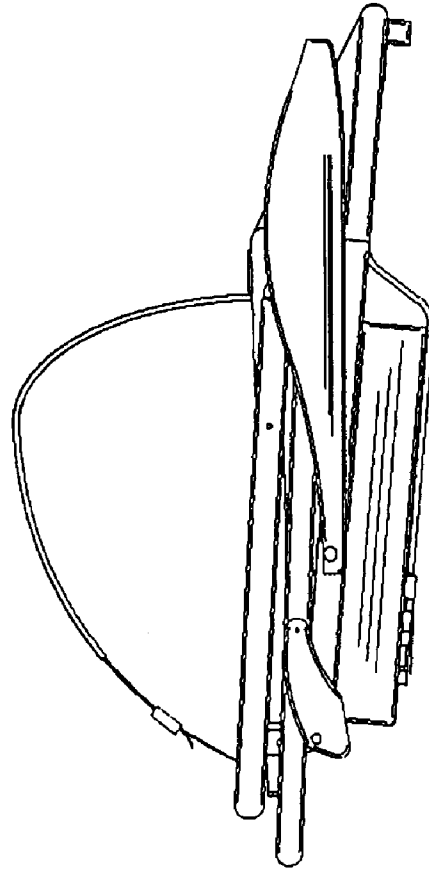


FIG. 10