



US00D630834S

(12) **United States Design Patent**
Cohen

(10) **Patent No.:** **US D630,834 S**

(45) **Date of Patent:** **** Jan. 18, 2011**

(54) **ANCHOR AUGER FOR BEACH UMBRELLA**

(76) Inventor: **Warren Cohen**, 100 Front St., Suite
1350, W. Conshohocken, PA (US) 19428

(**) Term: **14 Years**

(21) Appl. No.: **29/368,162**

(22) Filed: **Aug. 19, 2010**

(51) **LOC (9) Cl.** **03-03**

(52) **U.S. Cl.** **D3/10; D3/17**

(58) **Field of Classification Search** D3/10,
D3/17, 12; D6/417; D8/388, 391; D21/840;
D15/139; 135/16, 118, 44, 15.1; 175/394;
408/1 R, 230, 86; 248/533, 156

See application file for complete search history.

(56) **References Cited**

U.S. PATENT DOCUMENTS

2,103,948	A *	12/1937	Jones	248/530
2,441,109	A *	5/1948	Carlson	403/86
3,318,560	A *	5/1967	Garrette, Jr. et al.	248/545
4,832,304	A *	5/1989	Morgulis	248/533
4,850,564	A *	7/1989	Padin	248/533
5,046,699	A *	9/1991	Perreault et al.	248/533
5,139,219	A *	8/1992	Navarro	248/97
5,358,209	A *	10/1994	Ward	248/545
5,457,918	A *	10/1995	Plourde	52/165
5,482,246	A *	1/1996	Derkoski	248/530
5,662,304	A *	9/1997	McDaniel	248/499
D398,363	S *	9/1998	LoBue	D21/840
D402,803	S *	12/1998	Goldberg et al.	D3/12
5,906,077	A *	5/1999	Andiarena	52/157
D421,532	S *	3/2000	Koroncai	D6/417
6,032,880	A *	3/2000	Verrills et al.	248/530

6,199,569	B1 *	3/2001	Gibson	135/16
6,321,861	B1 *	11/2001	Leichter	175/323
D456,131	S *	4/2002	Dotson, Jr.	D3/10
6,412,235	B1 *	7/2002	Pylant	52/155
6,685,155	B1 *	2/2004	Chen	248/533
7,007,703	B2 *	3/2006	Brooks, III	135/16
D518,286	S *	4/2006	Santos	D3/17
7,191,996	B2 *	3/2007	Patsalaridis	248/530
7,264,210	B2 *	9/2007	Yu	248/156
7,503,541	B2 *	3/2009	Harold et al.	248/545
D593,315	S *	6/2009	Zemel	D3/10
2006/0272687	A1 *	12/2006	Tanner et al.	135/16

* cited by examiner

Primary Examiner—Celia A Murphy

Assistant Examiner—John Windmuller

(74) *Attorney, Agent, or Firm*—LaMorte & Associates

(57) **CLAIM**

The ornamental design for an anchor auger for a beach umbrella, as shown and described.

DESCRIPTION

FIG. 1 is a bottom perspective view of an anchor auger for a beach umbrella;

FIG. 2 is a top perspective view thereof;

FIG. 3 is a bottom view thereof;

FIG. 4 is a top view thereof;

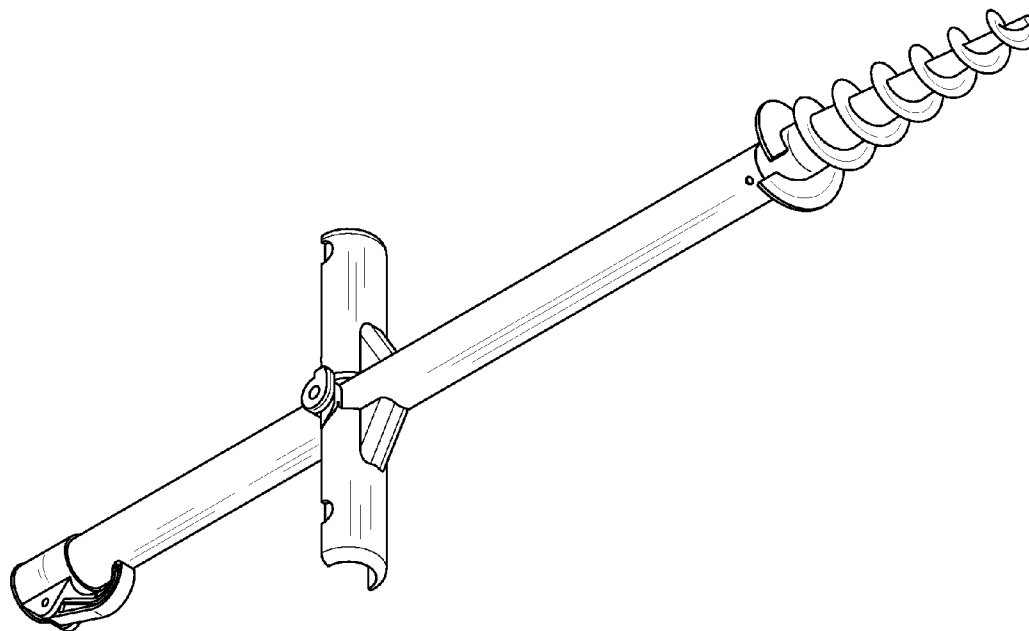
FIG. 5 is a front view thereof;

FIG. 6 is a rear view thereof;

FIG. 7 is a left side thereof; and,

FIG. 8 is a right side view thereof.

1 Claim, 5 Drawing Sheets



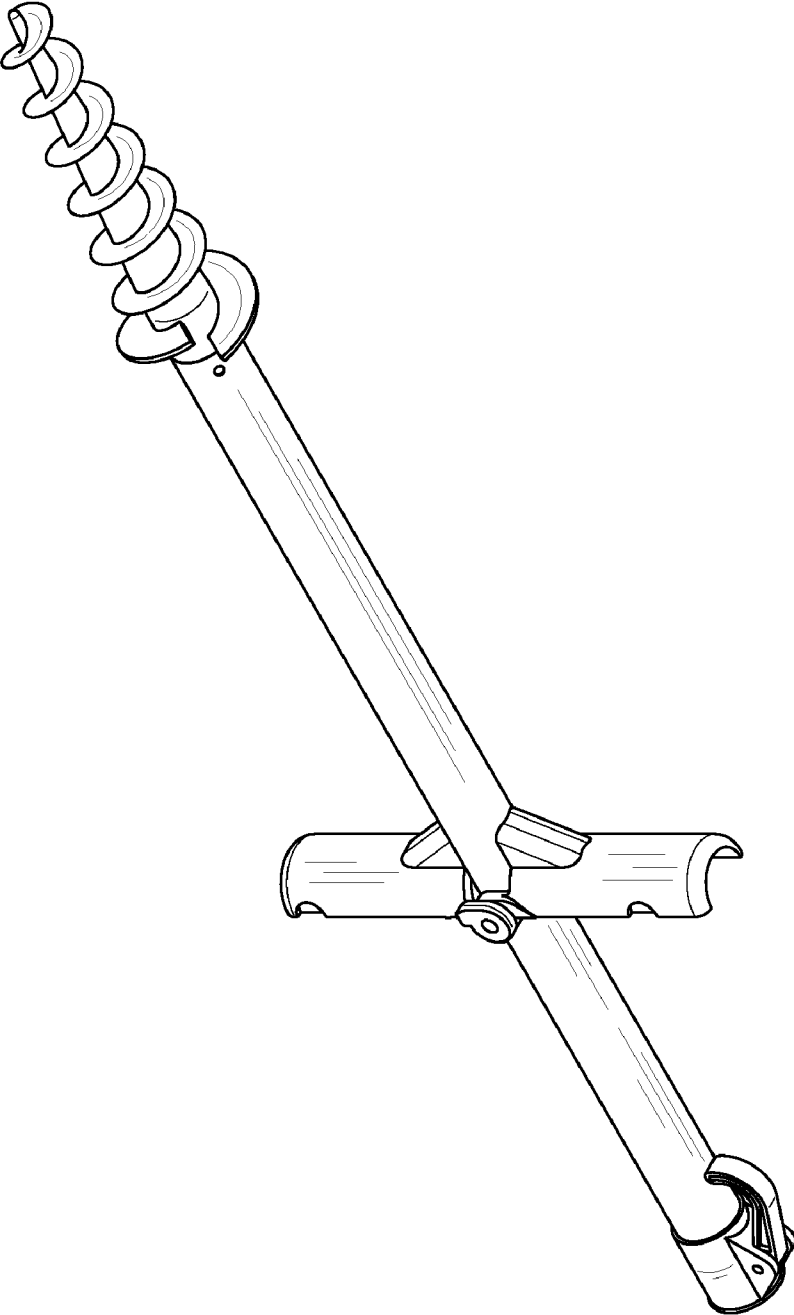


FIG. 1

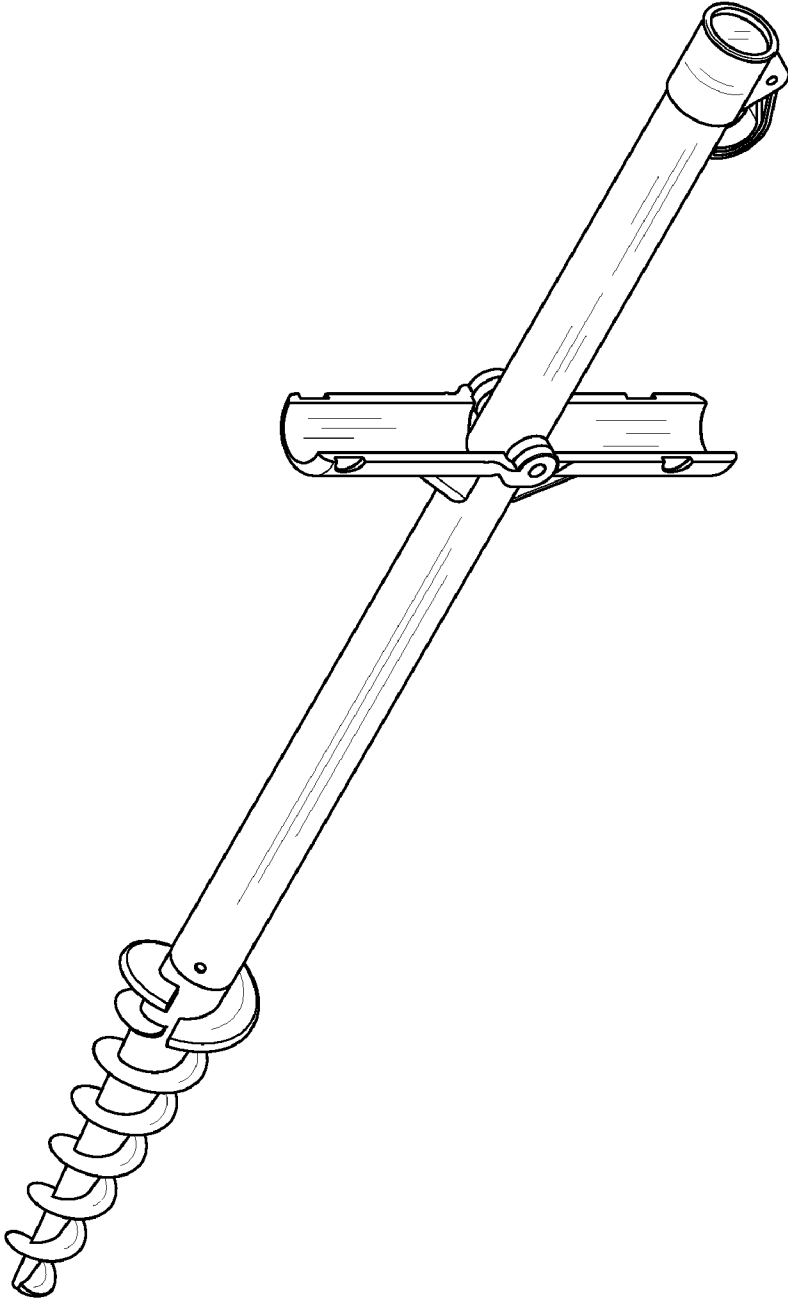


FIG. 2

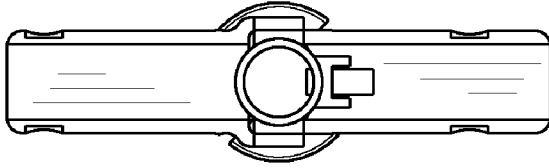


FIG. 4

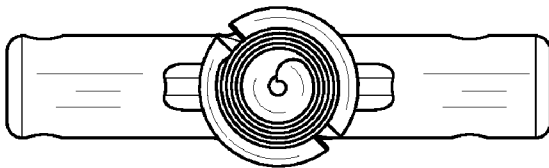


FIG. 3

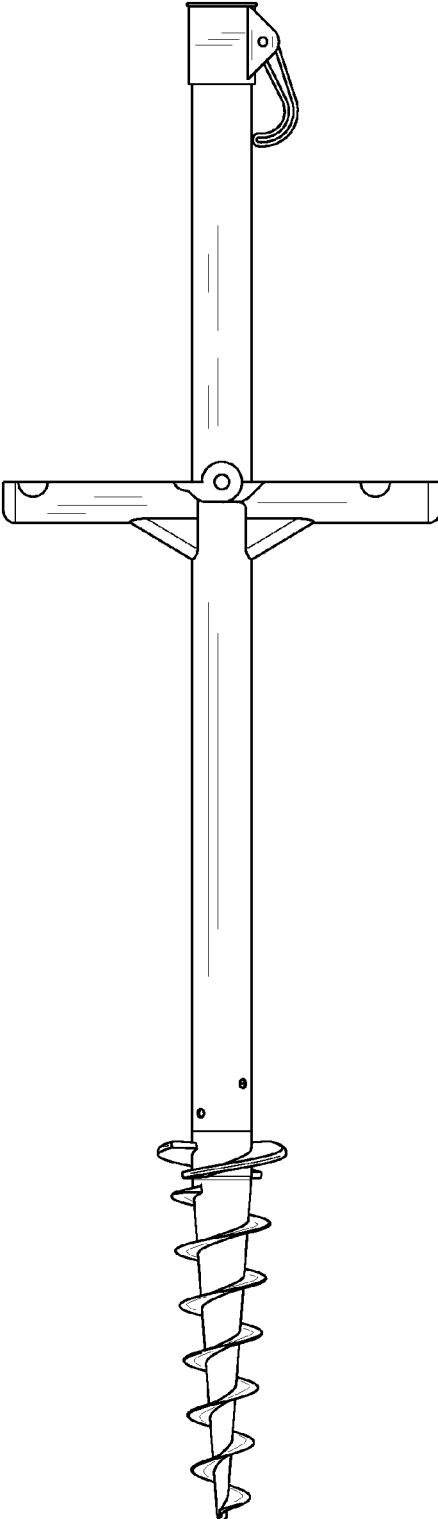


FIG. 5

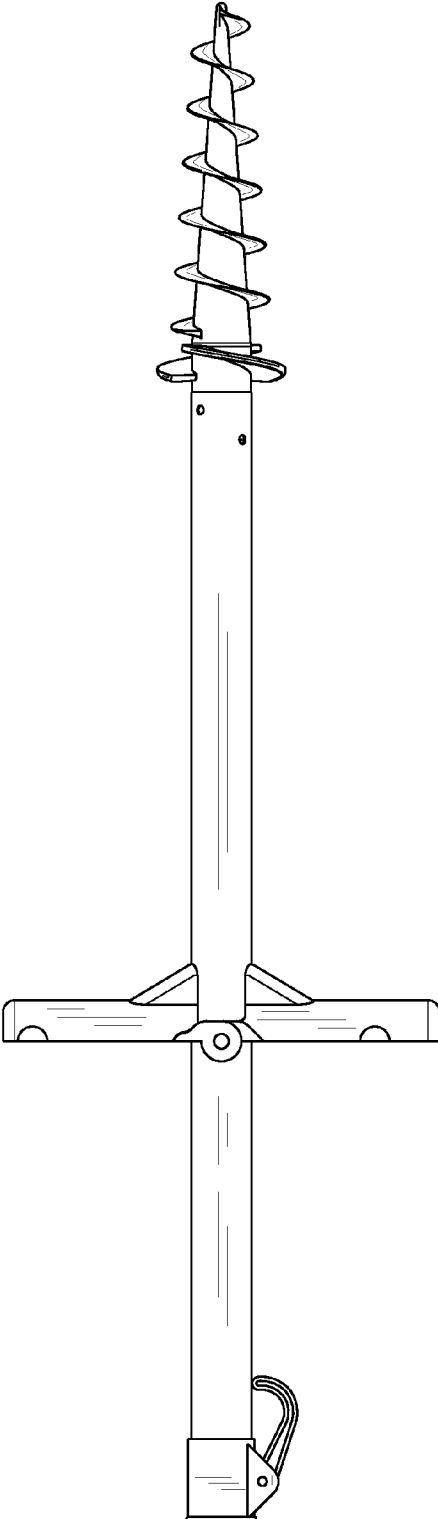


FIG. 6

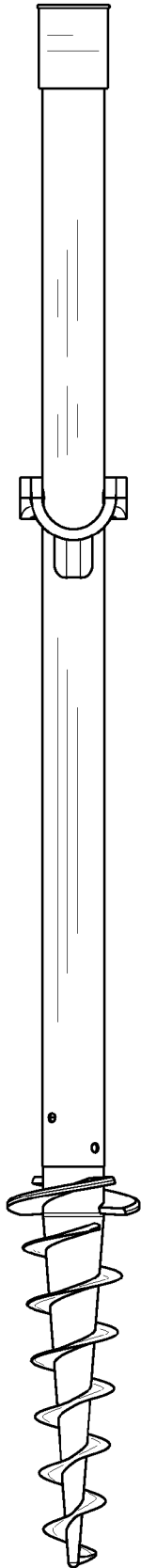


FIG. 7

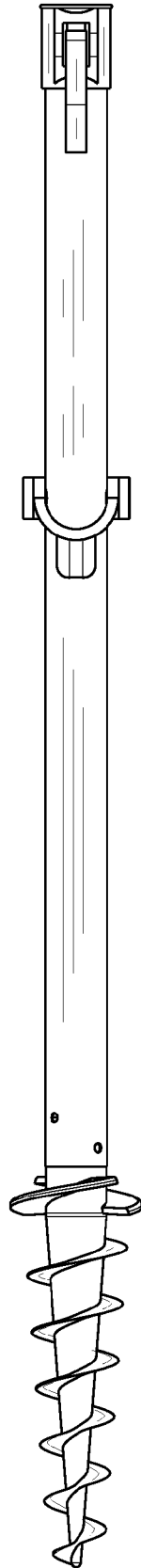


FIG. 8