



US00D690775S

(12) **United States Design Patent**
Chen

(10) **Patent No.:** **US D690,775 S**

(45) **Date of Patent:** **** Oct. 1, 2013**

(54) **PLASTIC SUCTION CUP DART**

(76) Inventor: **Shaoyun Chen**, Shantou (CN)

(**) Term: **14 Years**

(21) Appl. No.: **29/420,387**

(22) Filed: **May 8, 2012**

(51) **LOC (9) Cl.** **21-01**

(52) **U.S. Cl.**

USPC **D21/387**

(58) **Field of Classification Search**

USPC D21/387, 437, 707, 711; 473/572,
473/578; 237/348.2

See application file for complete search history.

(56) **References Cited**

U.S. PATENT DOCUMENTS

1,774,765	A *	9/1930	Schoen	473/572
5,358,253	A *	10/1994	Chen	273/348.2
D622,325	S *	8/2010	Walterscheid	D21/387
8,012,049	B1 *	9/2011	Walterscheid	473/578

* cited by examiner

Primary Examiner — George D Kirschbaum

(74) *Attorney, Agent, or Firm* — LaMorte & Associates P.C.

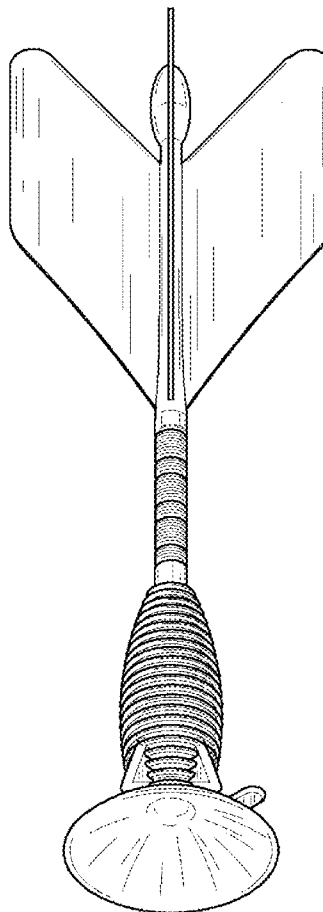
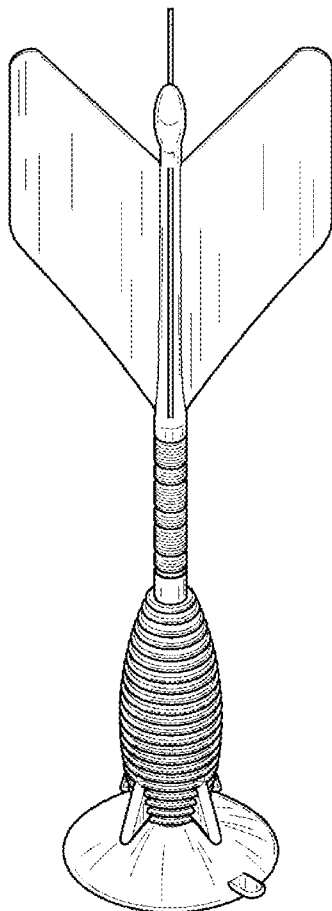
(57) **CLAIM**

The ornamental design for a plastic suction cup dart, as shown and described.

DESCRIPTION

FIG. 1 is a top perspective view thereof;
FIG. 2 is a bottom perspective view thereof;
FIG. 3 is a rear view thereof;
FIG. 4 is a front view thereof;
FIG. 5 is a left side view thereof;
FIG. 6 is a right side view thereof;
FIG. 7 is a top view thereof; and,
FIG. 8 is a bottom view thereof.

1 Claim, 5 Drawing Sheets



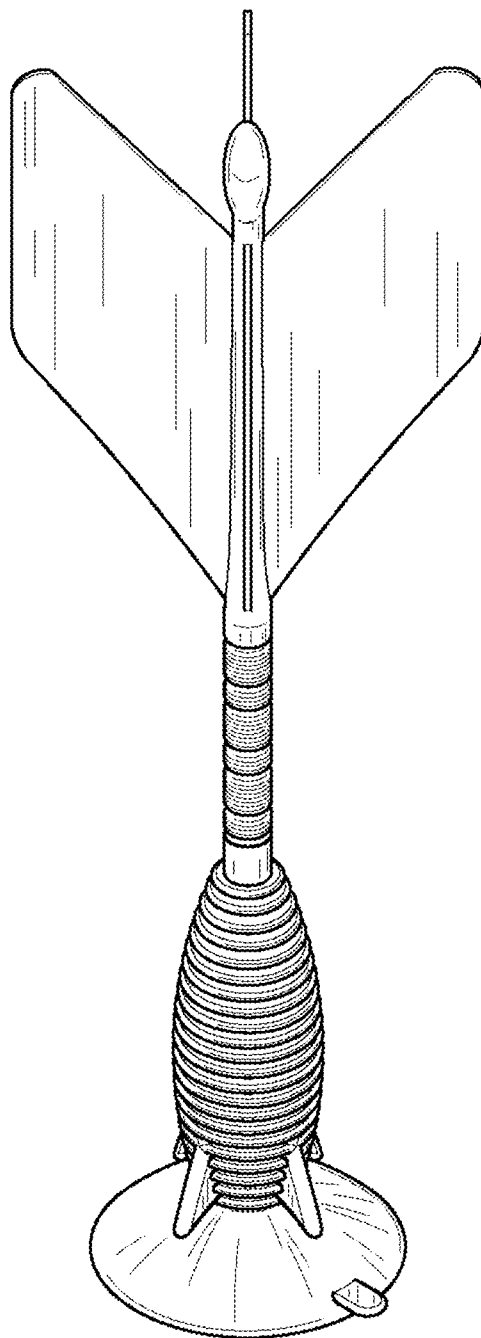


FIG. 1

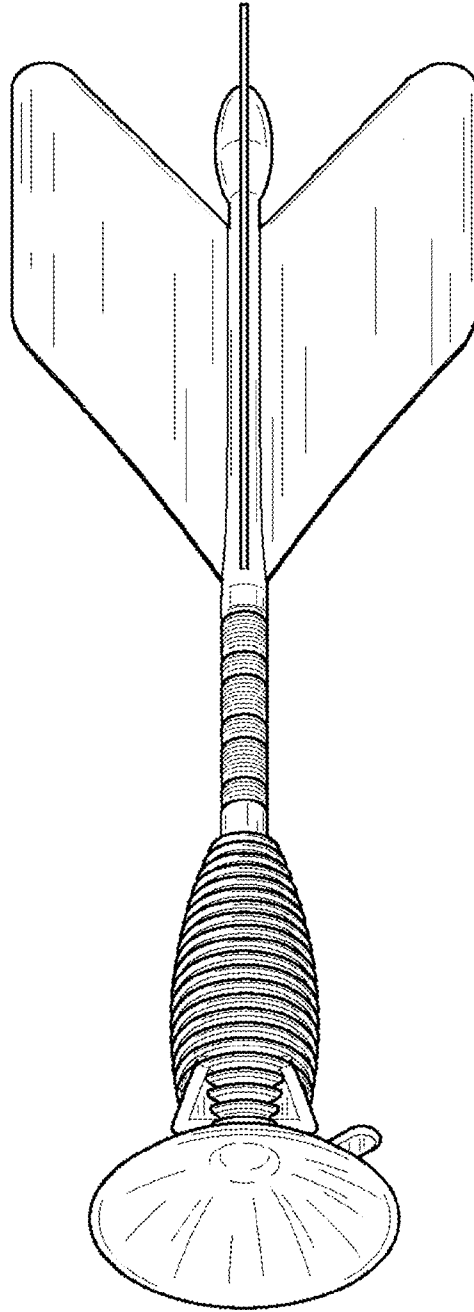


FIG. 2

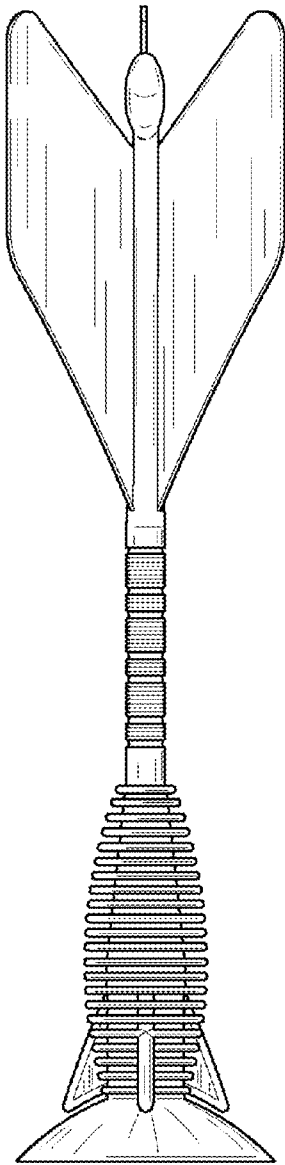


FIG. 3

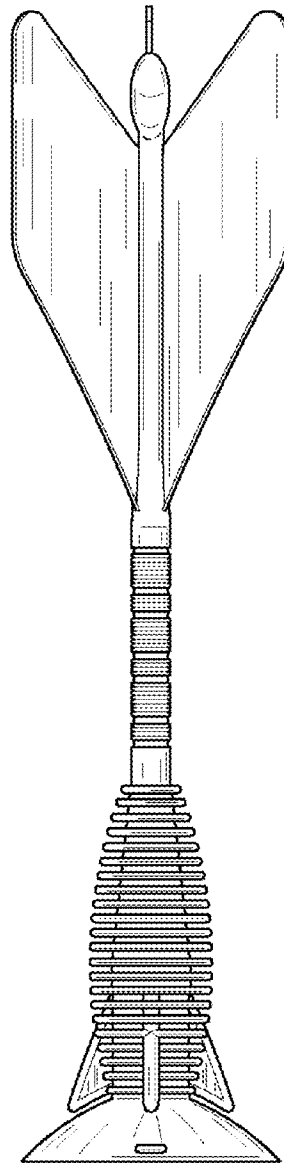


FIG. 4

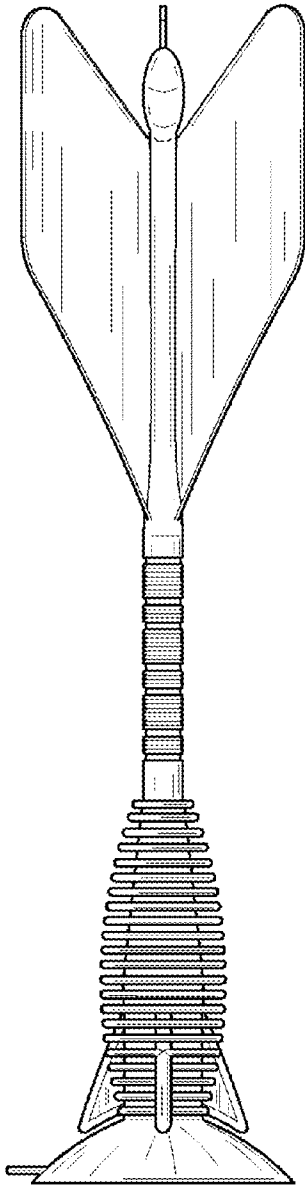


FIG. 5

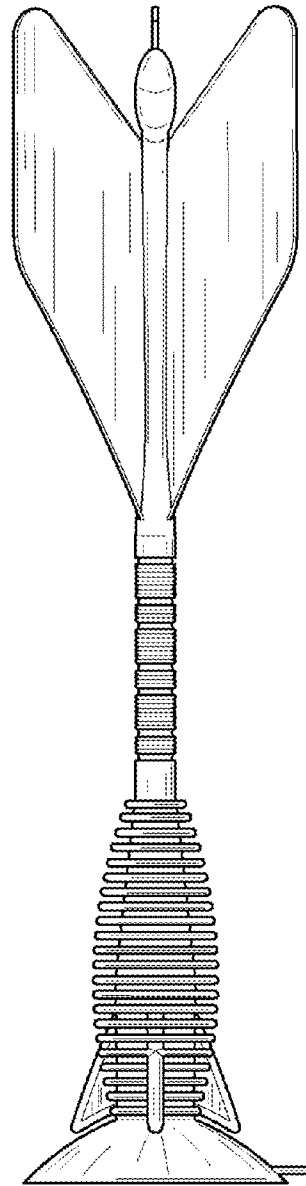


FIG. 6

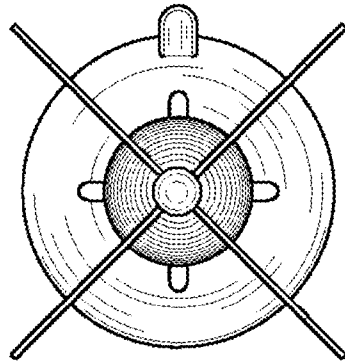


FIG. 7

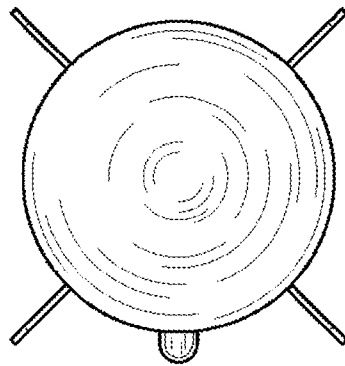


FIG. 8