



US00D706641S

(12) **United States Design Patent**  
**Hinz**

(10) **Patent No.:** **US D706,641 S**

(45) **Date of Patent:** **\*\* Jun. 10, 2014**

(54) **DISPOSABLE BAG STRUCTURE FOR HOLDING A WET PAINT ROLLER**

(71) Applicant: **Krystian Hinz**, Robbinsville, NJ (US)

(72) Inventor: **Krystian Hinz**, Robbinsville, NJ (US)

(\*\*) Term: **14 Years**

(21) Appl. No.: **29/468,332**

(22) Filed: **Sep. 27, 2013**

(51) **LOC (10) Cl.** ..... **09-05**

(52) **U.S. Cl.**  
USPC ..... **D9/705**

(58) **Field of Classification Search**

USPC ..... D9/702-703, 705, 707, 709-710, 720,  
D9/430-432, 424, 414, 761; 383/33, 61.1,  
383/79, 81, 86, 98, 35, 63, 120, 104, 61.2;  
426/106; 220/495.03; D3/303;  
229/108, 108.1, 87.19, 114, 106, 400,  
229/904, 938, 902

See application file for complete search history.

(56) **References Cited**

**U.S. PATENT DOCUMENTS**

D402,196 S \* 12/1998 Lynch ..... D9/709  
D407,969 S \* 4/1999 Planchard ..... D9/703

D451,385 S \* 12/2001 Bryan et al. .... D9/423  
D478,283 S \* 8/2003 Shimakawa ..... D9/713  
D580,779 S \* 11/2008 Hartwell et al. .... D9/705  
D640,932 S \* 7/2011 Kasha ..... D9/703  
D697,819 S \* 1/2014 Saville et al. .... D9/703  
D700,064 S \* 2/2014 Berman ..... D9/707

\* cited by examiner

*Primary Examiner* — Caron D Veynar

*Assistant Examiner* — Abraham Bahta

(74) *Attorney, Agent, or Firm* — Lamorte & Associates, P.C.

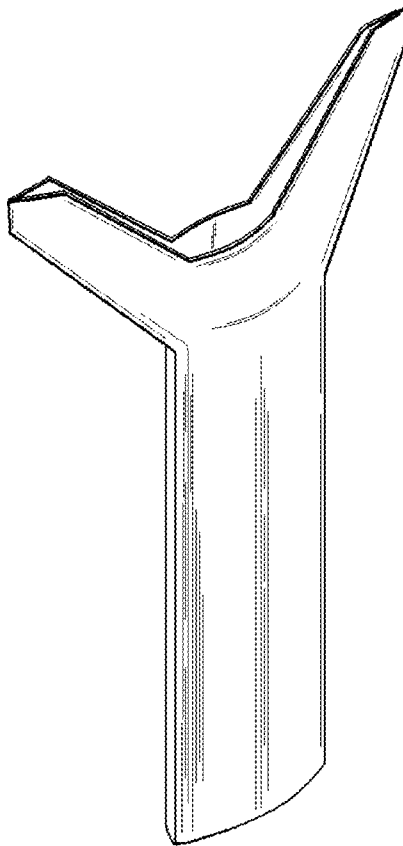
(57) **CLAIM**

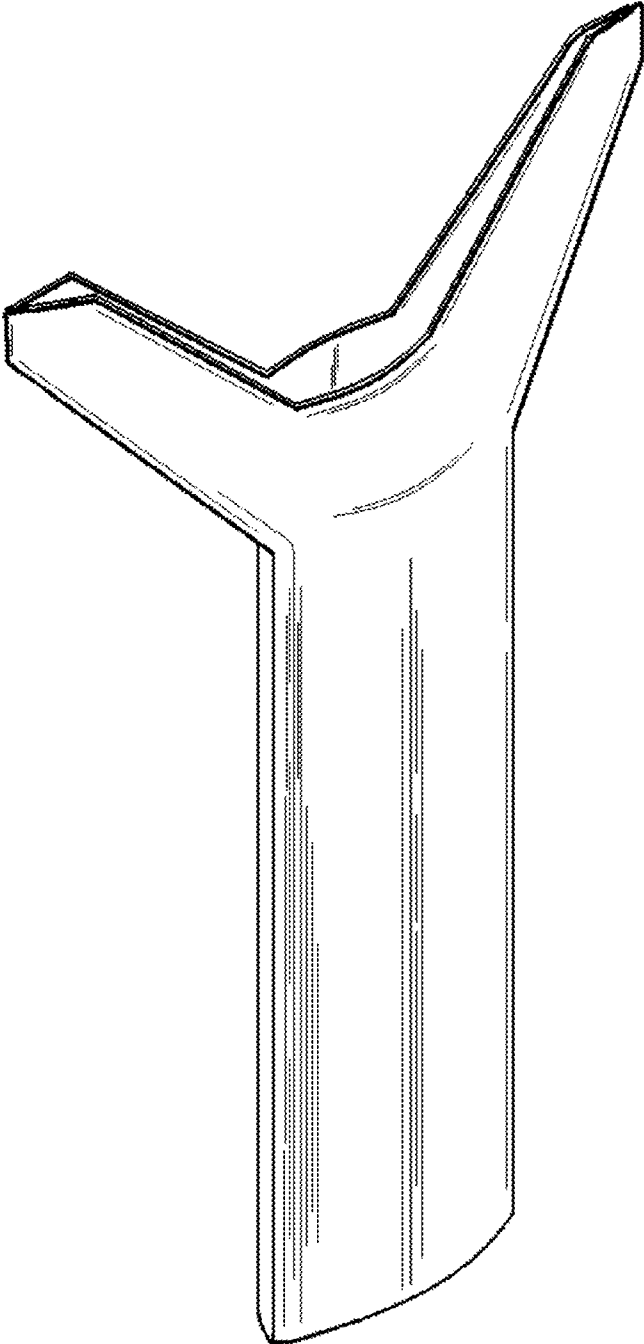
The ornamental design for a disposable bag structure for holding a wet paint roller, as shown and described.

**DESCRIPTION**

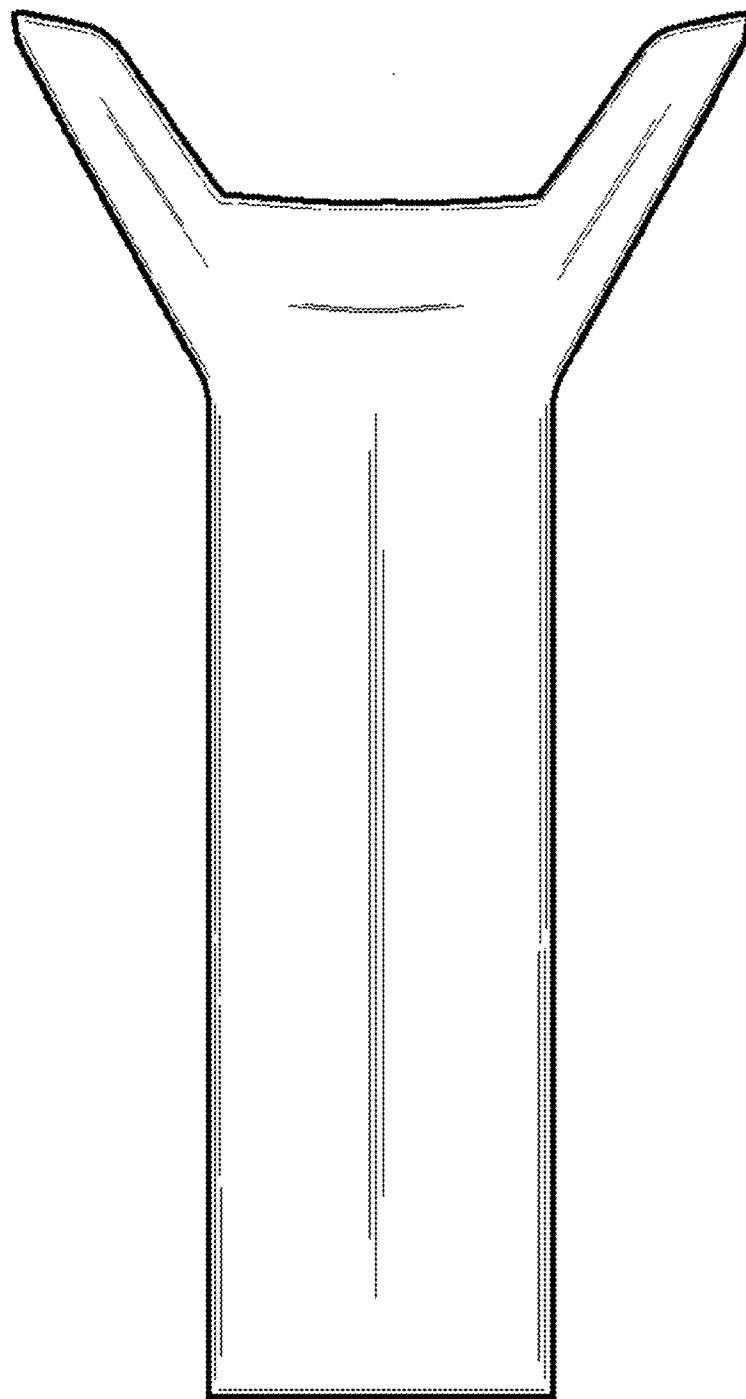
FIG. 1 is a top perspective view of a disposable bag structure for holding a wet paint roller;  
FIG. 2 is a front view thereof, the rear view being the same;  
FIG. 3 is a right side view thereof, the left side view being the same;  
FIG. 4 is a top view thereof; and,  
FIG. 5 is a bottom view thereof.

**1 Claim, 4 Drawing Sheets**

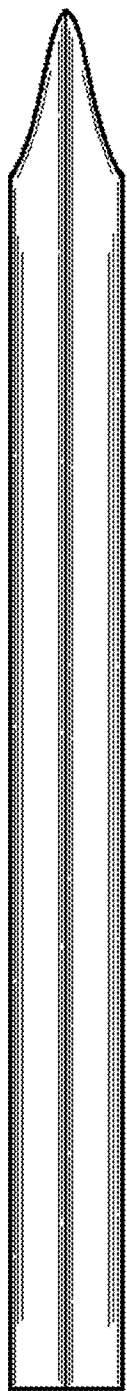




*FIG. 1*



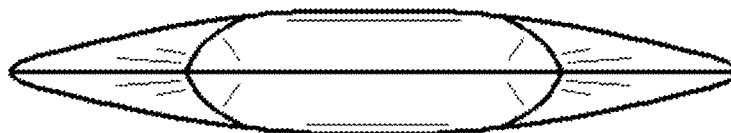
*FIG. 2*



*FIG. 3*



*FIG. 4*



*FIG. 5*