



US00D709136S

(12) **United States Design Patent**
Goldman et al.

(10) **Patent No.:** **US D709,136 S**

(45) **Date of Patent:** **** Jul. 15, 2014**

(54) **JUMPING TOY HAVING A BALL SET IN A BOARD**

(71) Applicants: **Michael Goldman**, Voorhees, NJ (US);
Thuy Vo, Barrington, NJ (US); **Andrew John Kohn, II**, Philadelphia, PA (US)

(72) Inventors: **Michael Goldman**, Voorhees, NJ (US);
Thuy Vo, Barrington, NJ (US); **Andrew John Kohn, II**, Philadelphia, PA (US)

(73) Assignee: **Tucker International LLC**, Voorhees, NJ (US)

(**) Term: **14 Years**

(21) Appl. No.: **29/462,671**

(22) Filed: **Aug. 7, 2013**

(51) **LOC (10) Cl.** **21-01**

(52) **U.S. Cl.**
USPC **D21/412; D21/421**

(58) **Field of Classification Search**
USPC D21/412, 413, 419, 420, 421; 472/135;
482/77, 112, 121-131, 135, 142, 146

See application file for complete search history.

(56) **References Cited**

U.S. PATENT DOCUMENTS

| | | | | |
|----------------|---------|-----------------------|-------|---------|
| D176,008 S * | 11/1955 | Blaker | | D21/412 |
| 3,604,726 A * | 9/1971 | Tracy | | 482/77 |
| 3,716,229 A * | 2/1973 | Van Der Cleyen et al. | | 482/77 |
| 4,893,809 A * | 1/1990 | Blankenzee | | 482/77 |
| 5,897,474 A * | 4/1999 | Romero | | 482/146 |
| 6,872,175 B2 * | 3/2005 | Lin | | 482/146 |
| 8,357,077 B2 * | 1/2013 | Taylor et al. | | 482/142 |

* cited by examiner

Primary Examiner — Cynthia M Chin

(74) *Attorney, Agent, or Firm* — LaMorte & Associates, P.C.

(57) **CLAIM**

The ornamental design for a jumping toy having a ball set in a board, as shown and described.

DESCRIPTION

FIG. 1 is a top perspective view of a jumping toy having a ball set in a board;

FIG. 2 is a bottom perspective view thereof;

FIG. 3 is a left side view thereof;

FIG. 4 is a right side view thereof;

FIG. 5 is a front view thereof;

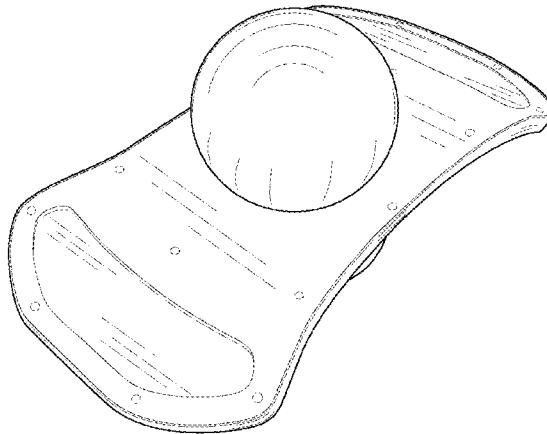
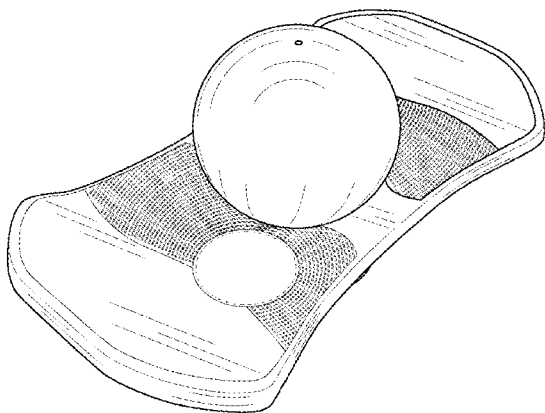
FIG. 6 is a rear view thereof;

FIG. 7 is a top view thereof; and,

FIG. 8 is a bottom view thereof.

The broken lines represent portions of the article that form no part of the claim.

1 Claim, 7 Drawing Sheets



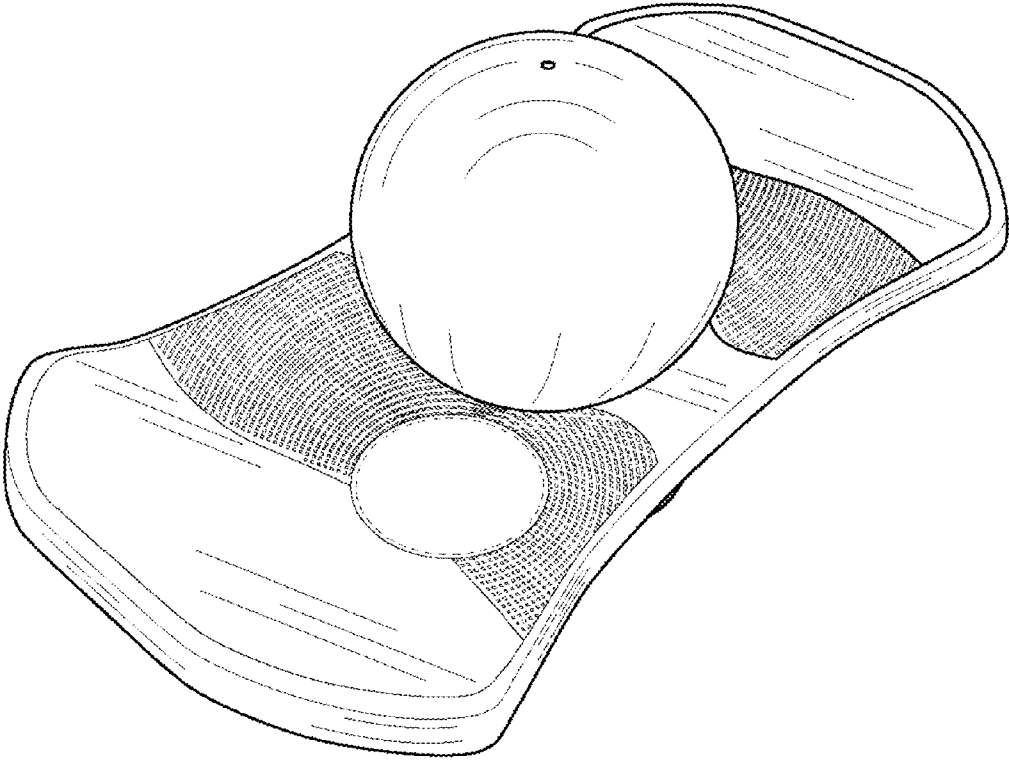


FIG. 1

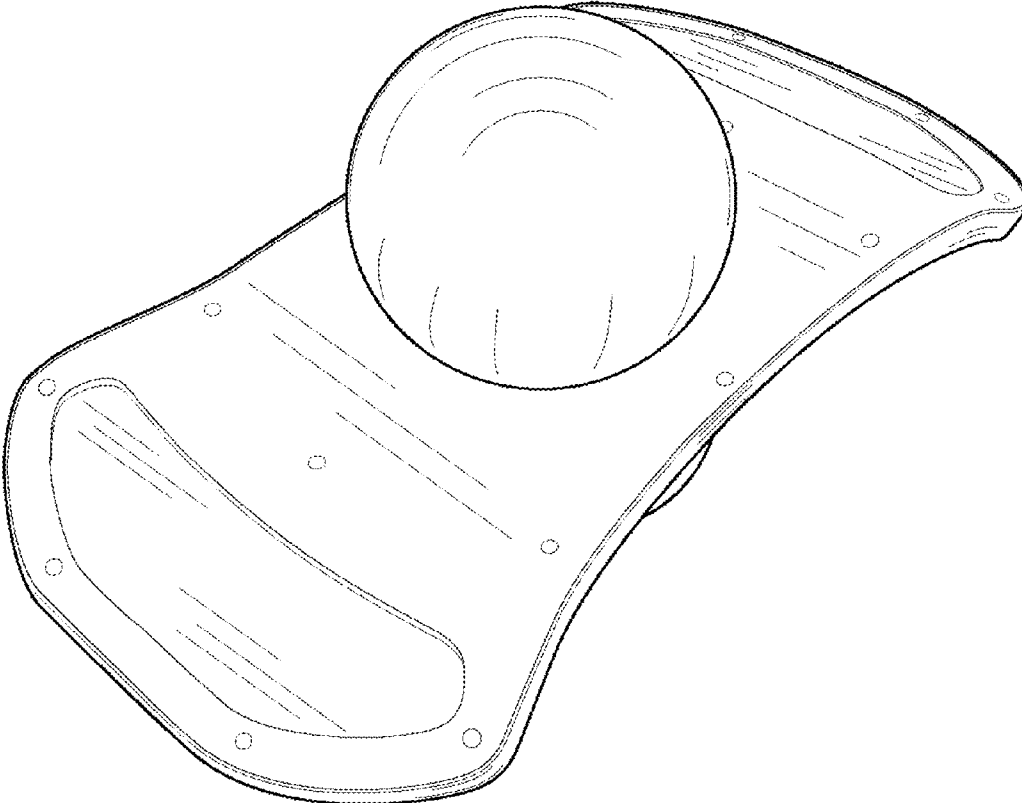


FIG. 2

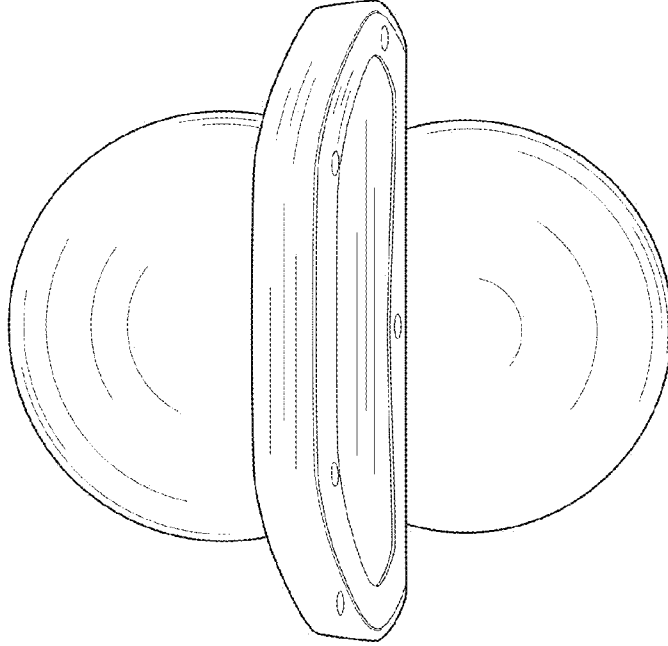


FIG. 4

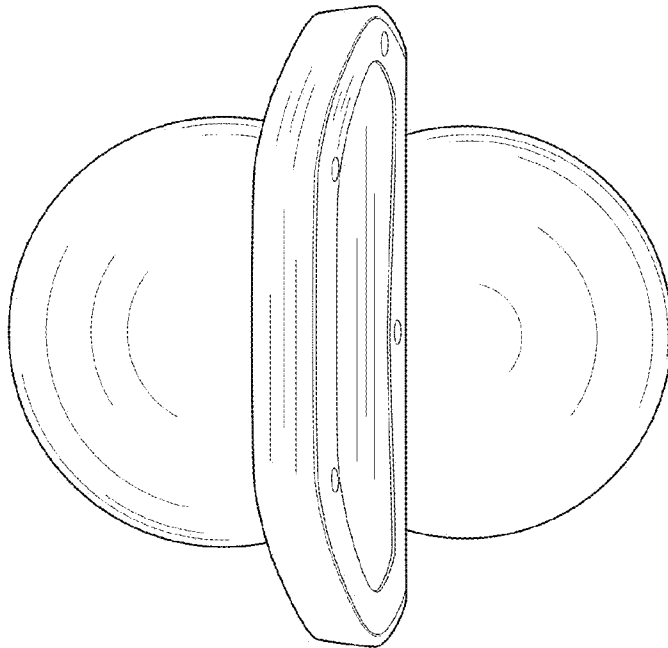


FIG. 3

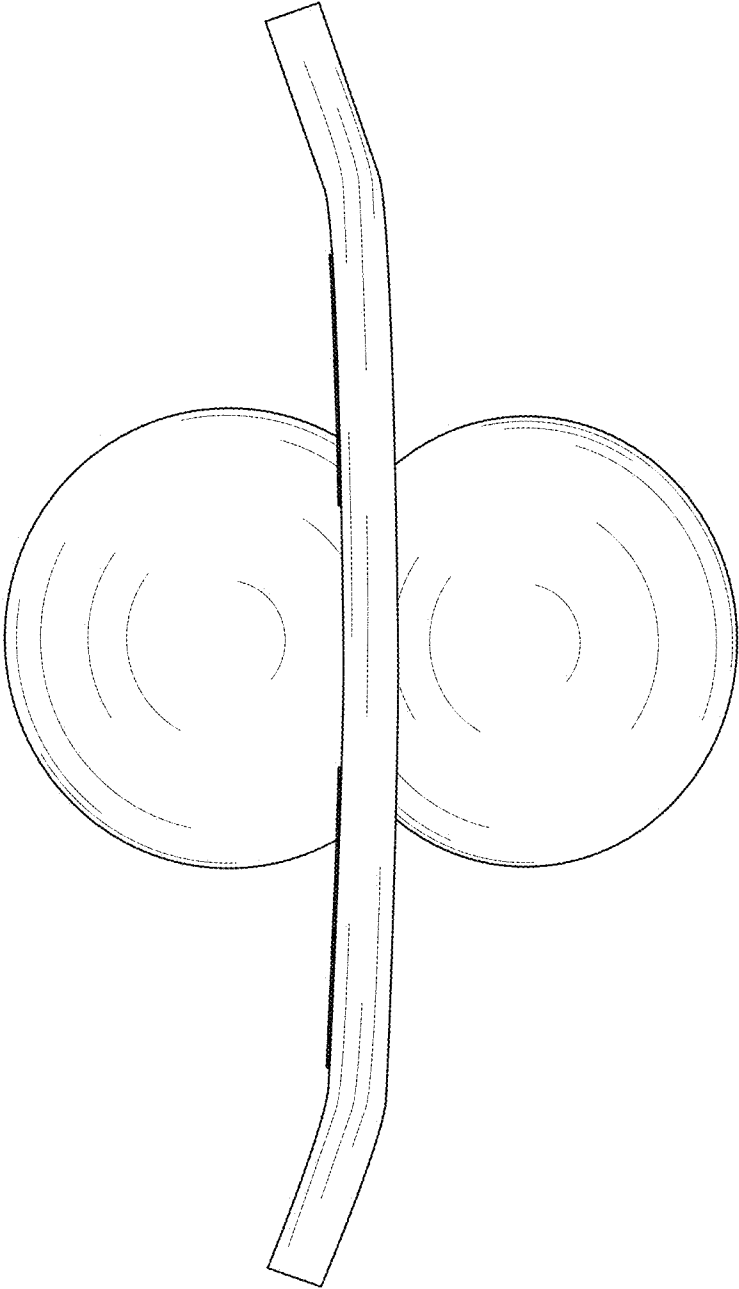


FIG. 5

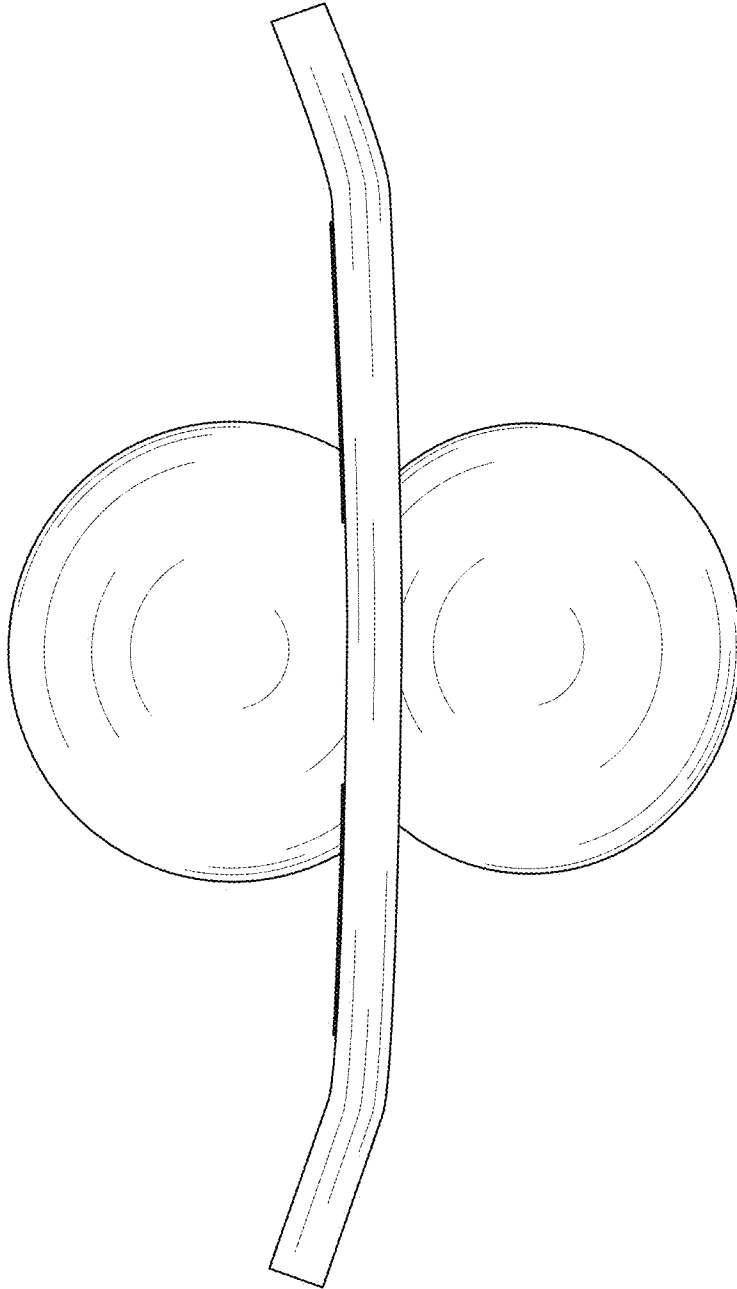


FIG. 6

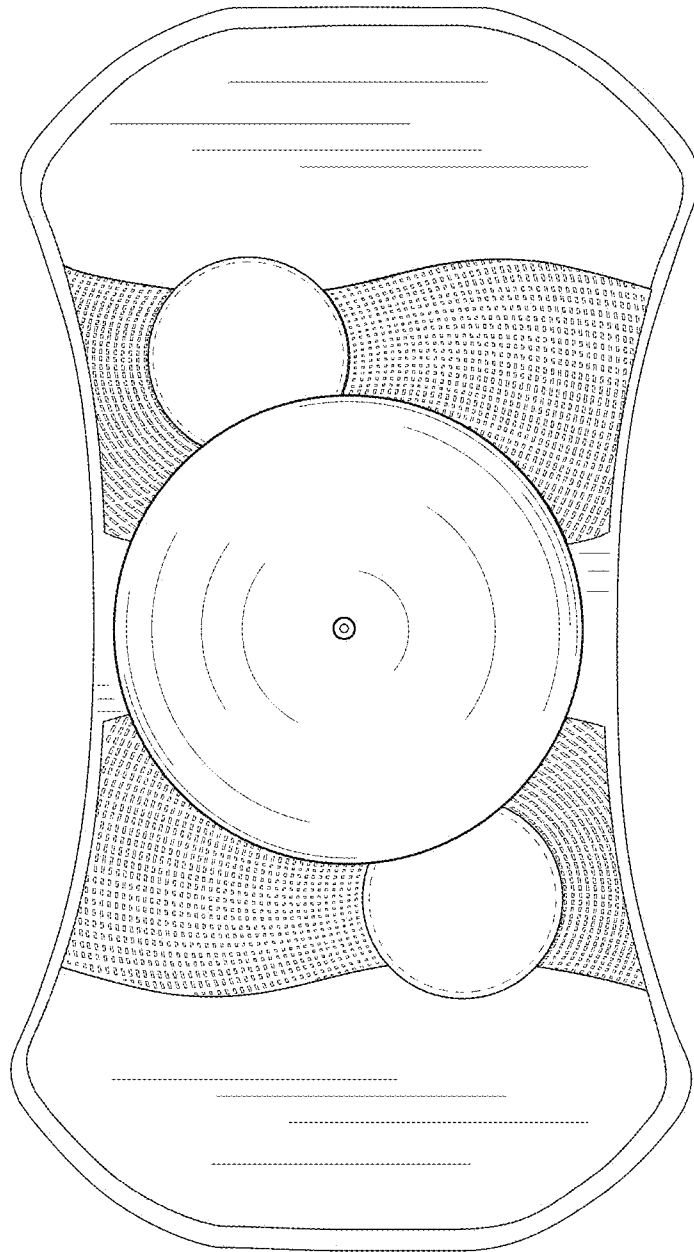


FIG. 7

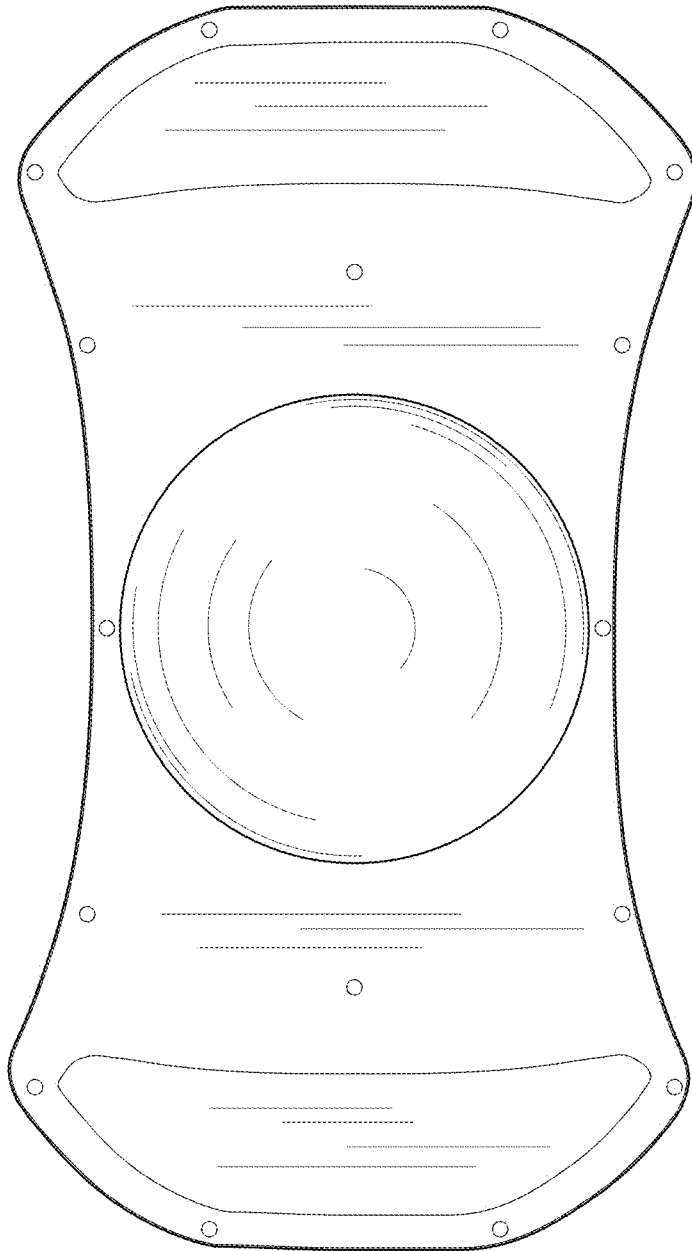


FIG. 8