



US00D548489S

(12) **United States Design Patent** (10) **Patent No.:** **US D548,489 S**
Cohen (45) **Date of Patent:** **** Aug. 14, 2007**

(54) **OVAL SHAPED COOLER**

(76) Inventor: **Warren Cohen**, 10981 Decatur Rd., Philadelphia, PA (US) 19154

(**) Term: **14 Years**

(21) Appl. No.: **29/266,305**

(22) Filed: **Sep. 19, 2006**

(51) **LOC (8) Cl.** **06-04**

(52) **U.S. Cl.** **D6/470**

(58) **Field of Classification Search** D15/83-85, D15/87, 79-91; D6/436, 470, 471; 62/246, 62/252, 449, 440, 441, 448, 457.9; 312/114, 312/204, 116; D7/605; D3/272

See application file for complete search history.

(56) **References Cited**

U.S. PATENT DOCUMENTS

- D322,738 S * 12/1991 Onweiler D7/605
- D368,271 S * 3/1996 Montgomery D15/85
- D379,466 S * 5/1997 Peterson, Jr. D15/84
- D401,479 S * 11/1998 Norman et al. D7/605
- D413,459 S * 9/1999 Evdokimoff D6/472

- D439,913 S * 4/2001 Jobst D15/84
- D449,845 S * 10/2001 Reese et al. D15/83
- D460,259 S * 7/2002 Oelfke D3/284
- D525,084 S * 7/2006 Willis D7/605

* cited by examiner

Primary Examiner—Cathron C. Brooks
Assistant Examiner—Kelley A. Donnelly
(74) *Attorney, Agent, or Firm*—LaMorte & Associates

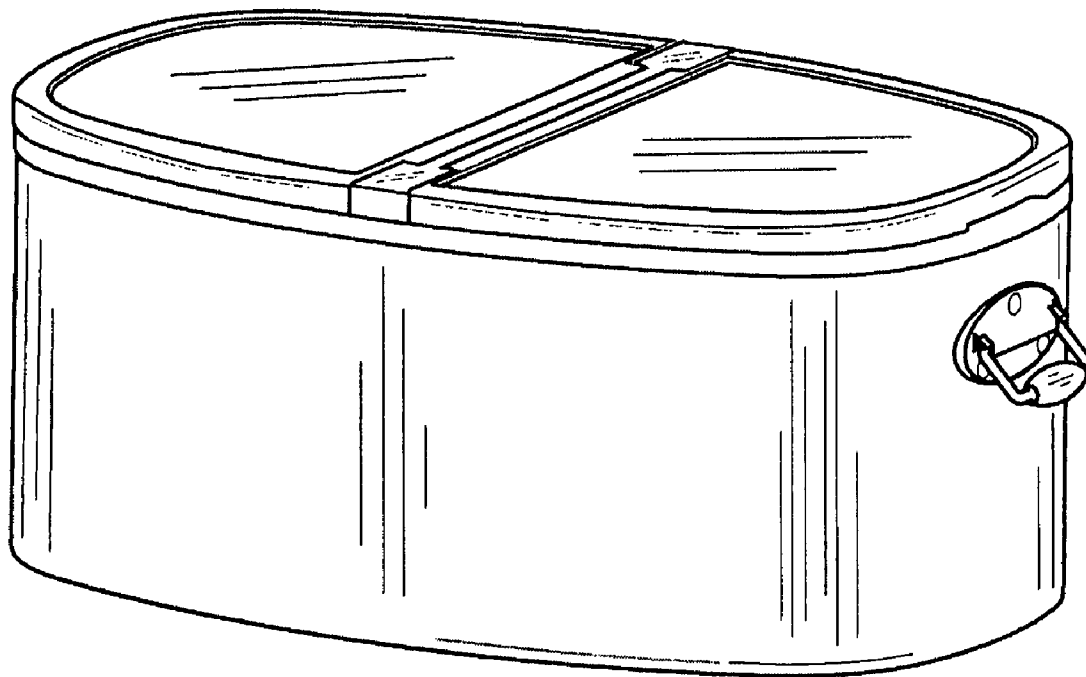
(57) **CLAIM**

The ornamental design for an oval shaped cooler, as shown and described.

DESCRIPTION

FIG. 1 is a perspective view of an oval shaped cooler;
FIG. 2 is a top view thereof;
FIG. 3 is a bottom view thereof;
FIG. 4 is a front view thereof, the rear view being the same; and,
FIG. 5 is a right side view thereof, the left side view being the same.

1 Claim, 5 Drawing Sheets



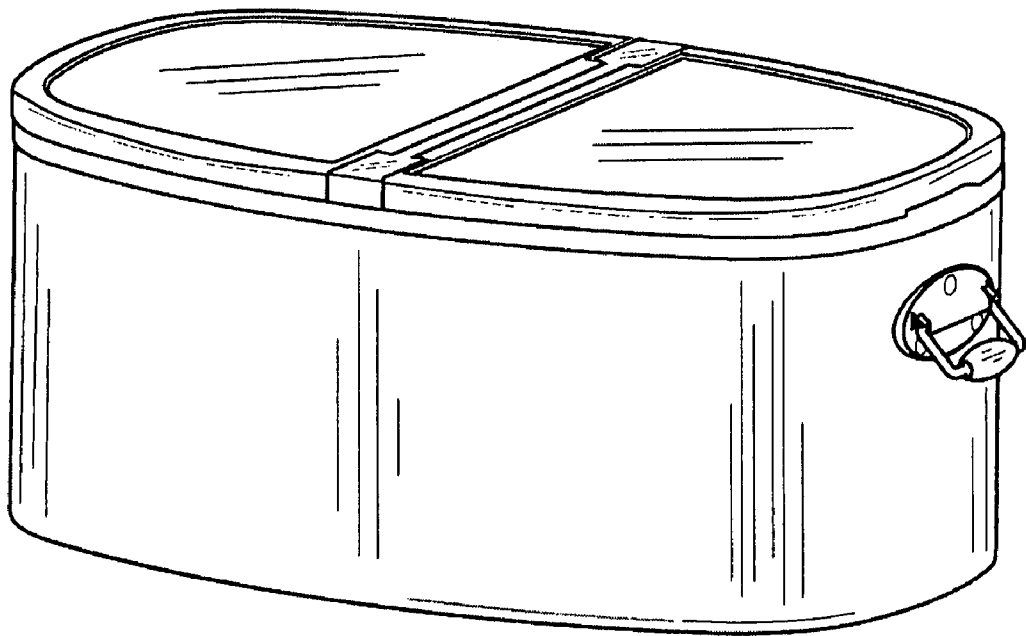


FIG. 1

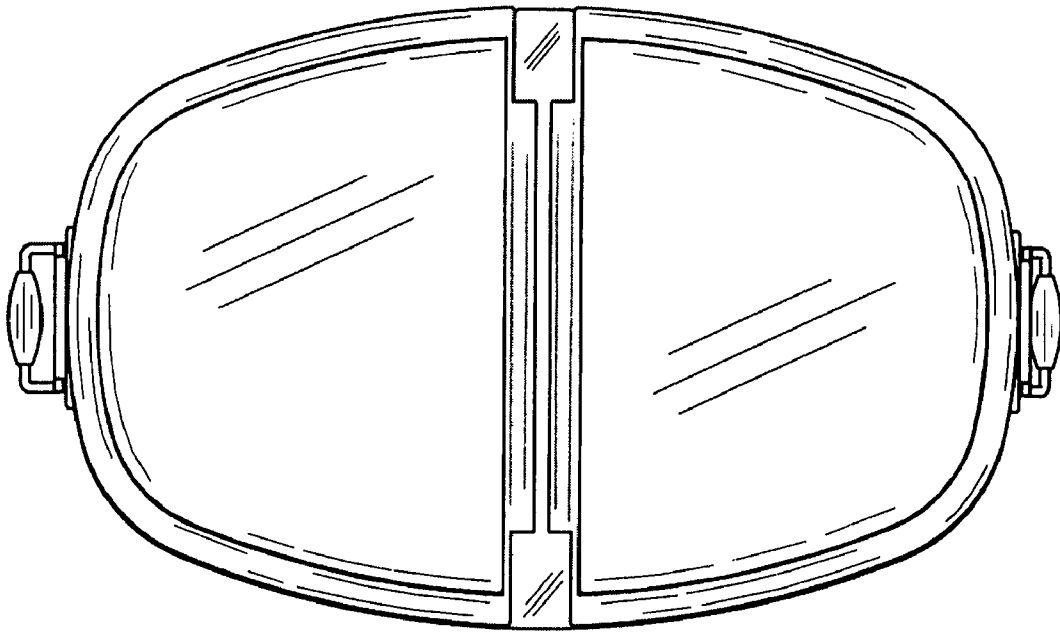


FIG. 2

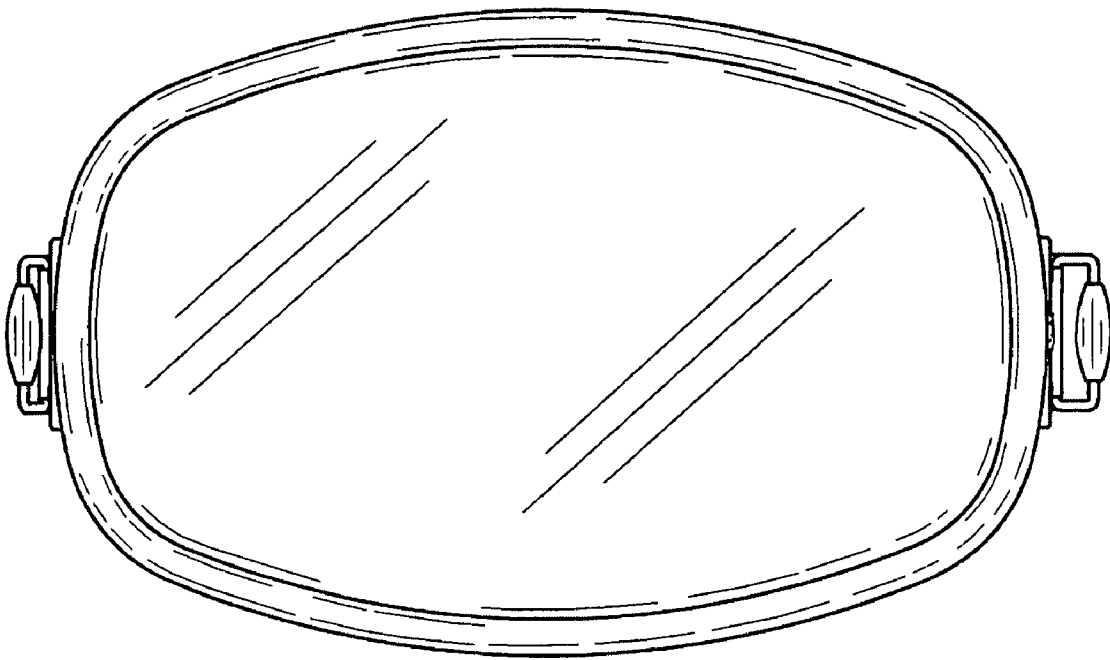


FIG. 3

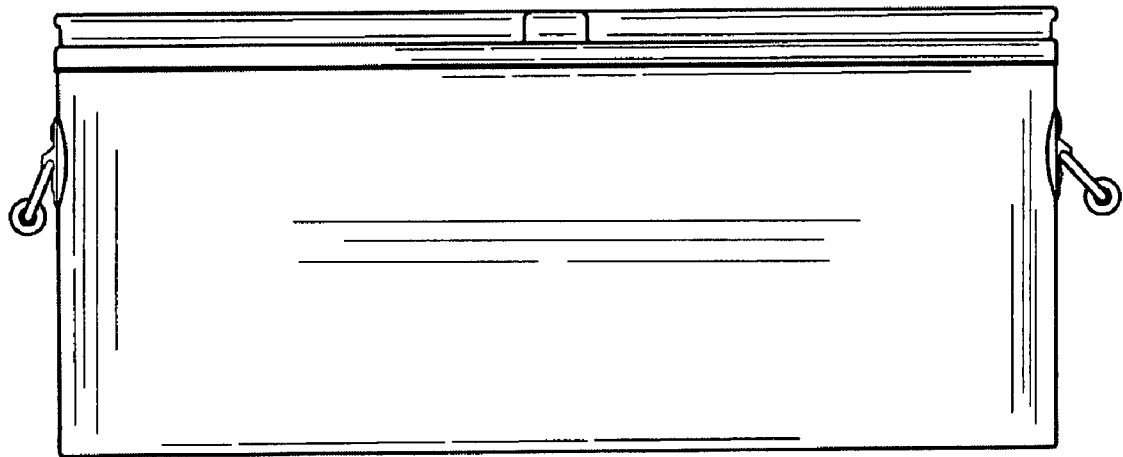


FIG. 4

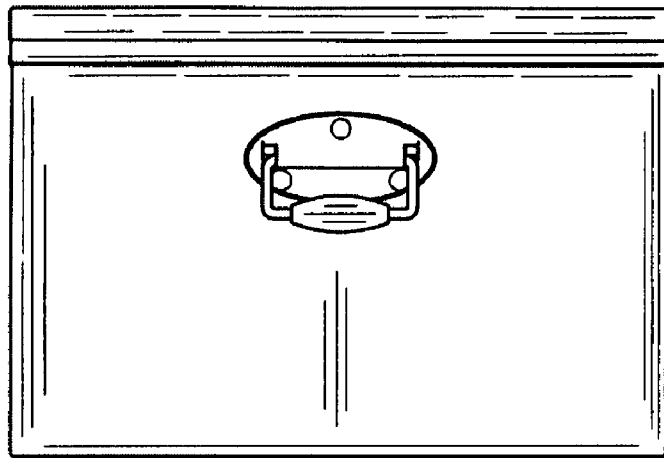


FIG. 5