



US00D631927S

(12) **United States Design Patent**  
**Potter**

(10) **Patent No.:** **US D631,927 S**

(45) **Date of Patent:** **\*\* Feb. 1, 2011**

(54) **SURFBOARD FIN**

2003/0040236 A1\* 2/2003 Burns et al. .... 441/74

(76) Inventor: **Courtney J. Potter**, 12 Ommalley Street, Augusta (AU) 6290

\* cited by examiner

(\*\*) Term: **14 Years**

*Primary Examiner*—Janice E Seeger  
*Assistant Examiner*—Zenia I Bennett  
(74) *Attorney, Agent, or Firm*—LaMorte & Associates

(21) Appl. No.: **29/367,239**

(57) **CLAIM**

(22) Filed: **Aug. 4, 2010**

The ornamental design for a surfboard fin, as shown and described.

(51) **LOC (9) Cl.** ..... **21-02**

(52) **U.S. Cl.** ..... **D21/778**

(58) **Field of Classification Search** ..... D21/684–685,  
D21/760–761, 765–766, 768–777, 778; 280/637,  
280/11.36; 441/74–75

See application file for complete search history.

**DESCRIPTION**

FIG. 1 is a right perspective view of a surfboard fin;

FIG. 2 is a left perspective view thereof;

FIG. 3 is a right top perspective view thereof;

FIG. 4 is a left bottom perspective view thereof;

FIG. 5 is a right side view thereof;

FIG. 6 is a left side view thereof;

FIG. 7 is a rear view thereof;

FIG. 8 is a front view thereof;

FIG. 9 is a top view thereof; and,

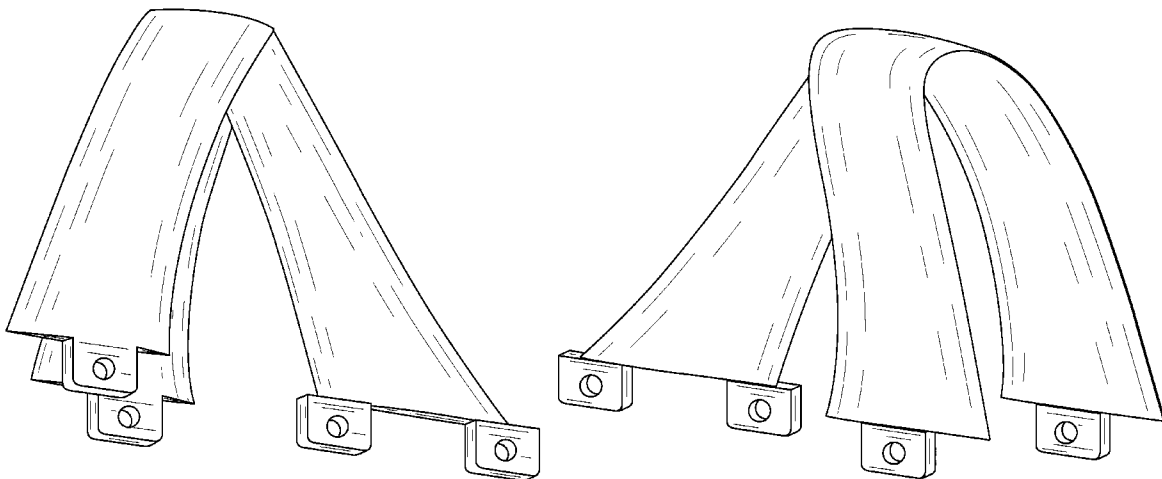
FIG. 10 is a bottom view thereof.

(56) **References Cited**

U.S. PATENT DOCUMENTS

D194,171	S	*	11/1962	Senne	.....	D21/778
D261,916	S	*	11/1981	Knox	.....	D21/778
D271,318	S	*	11/1983	Hope	.....	D21/778
D291,715	S	*	9/1987	Alpine	.....	D21/778
4,789,368	A	*	12/1988	D’Onofrio	.....	441/79
D307,310	S	*	4/1990	Bucknell	.....	D21/778
D315,772	S	*	3/1991	St. John	.....	D21/778

**1 Claim, 8 Drawing Sheets**



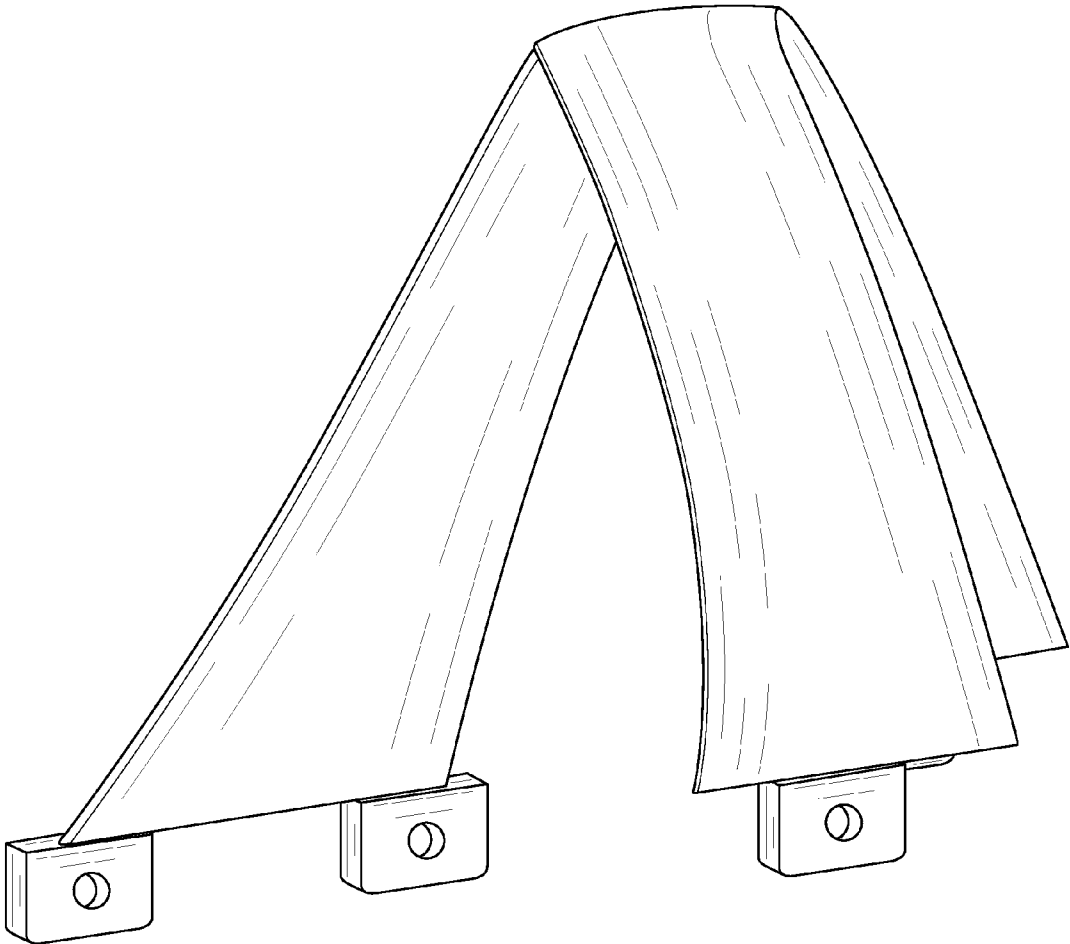


FIG. 1

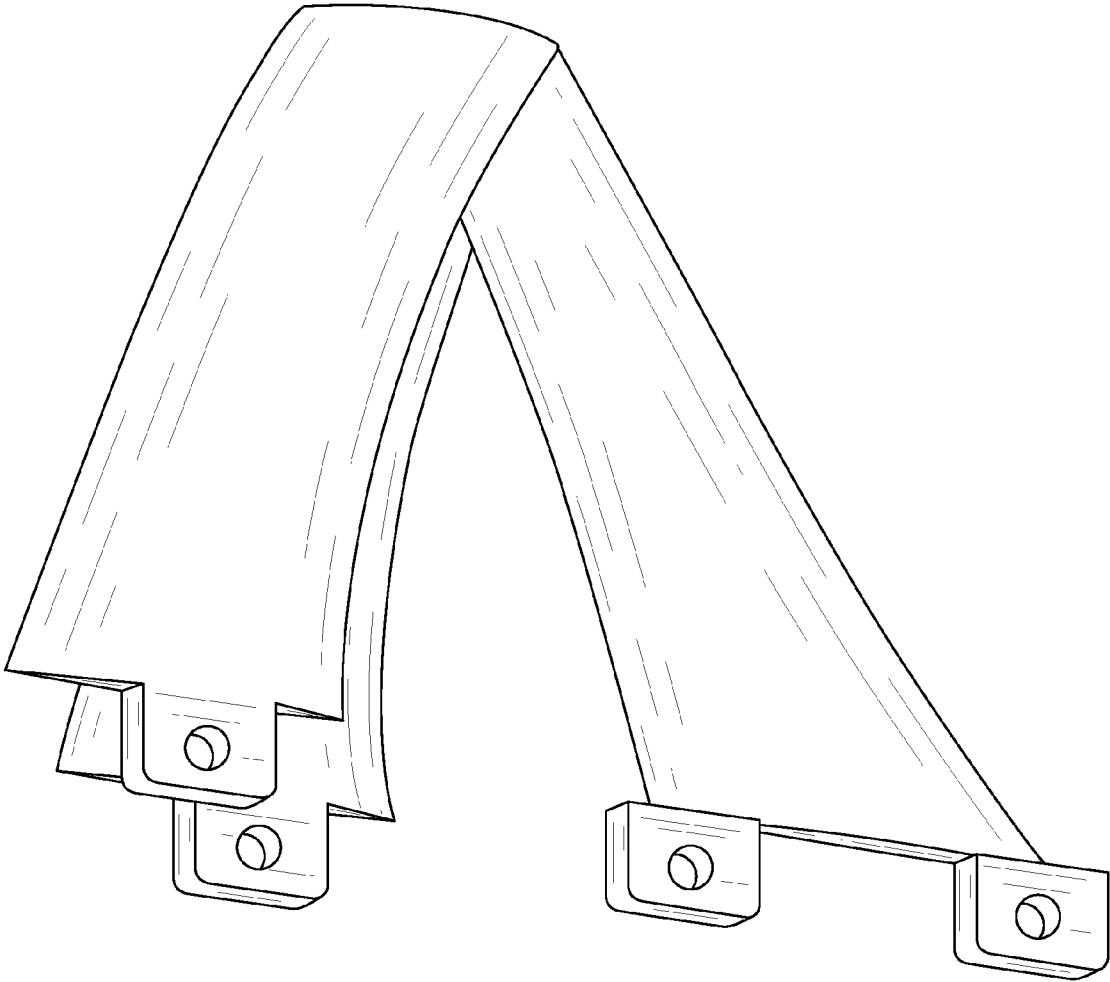


FIG. 2

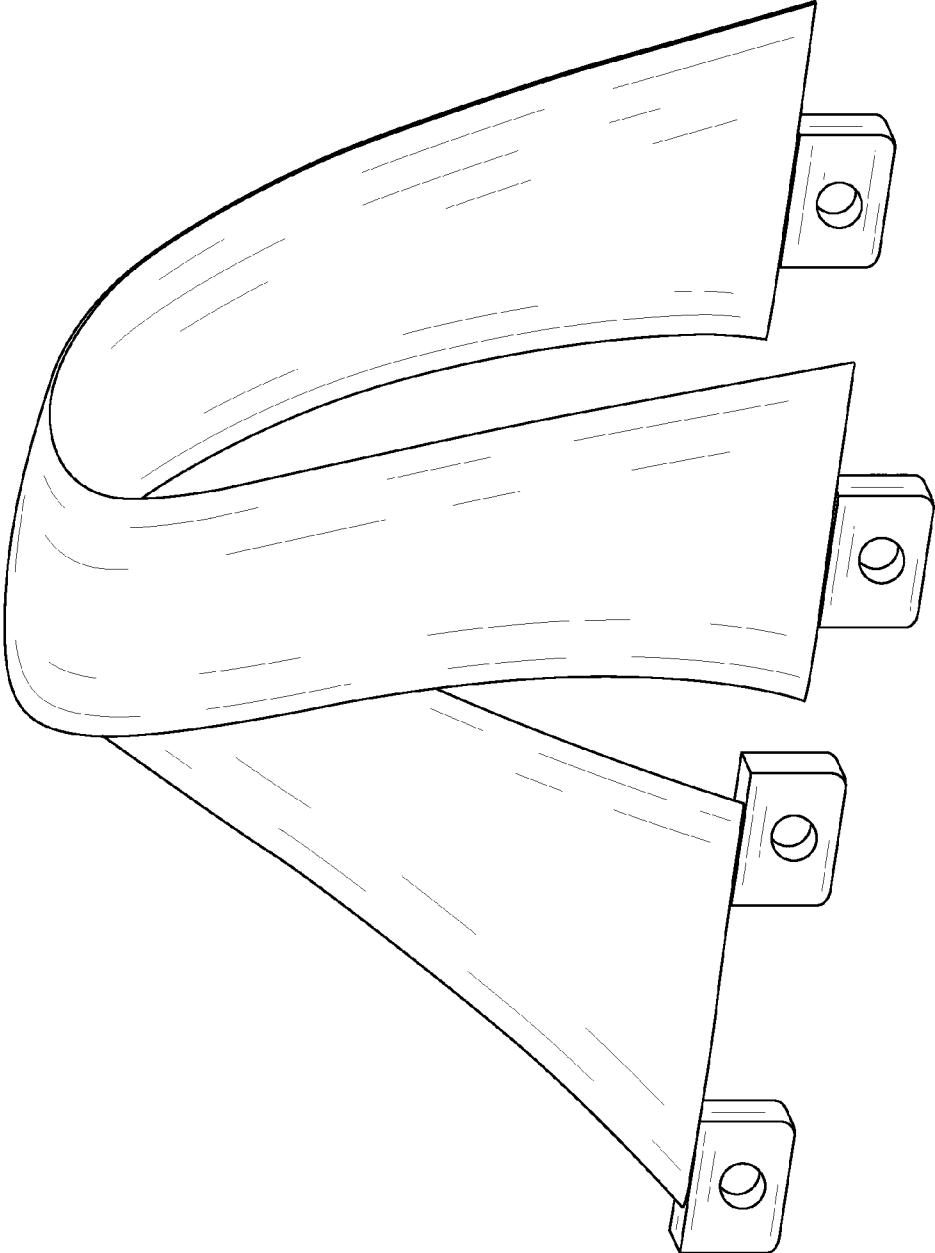


FIG. 3

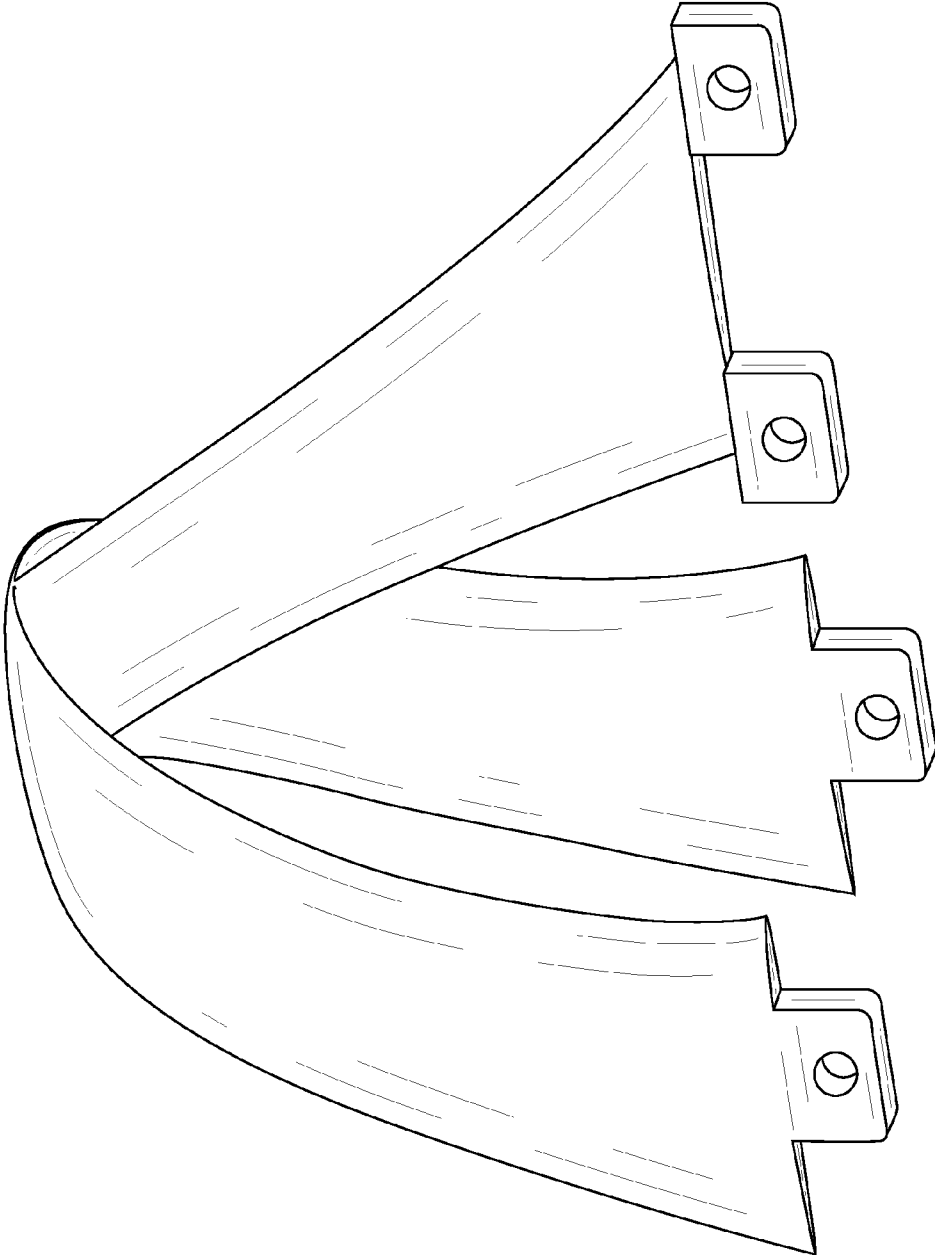


FIG. 4

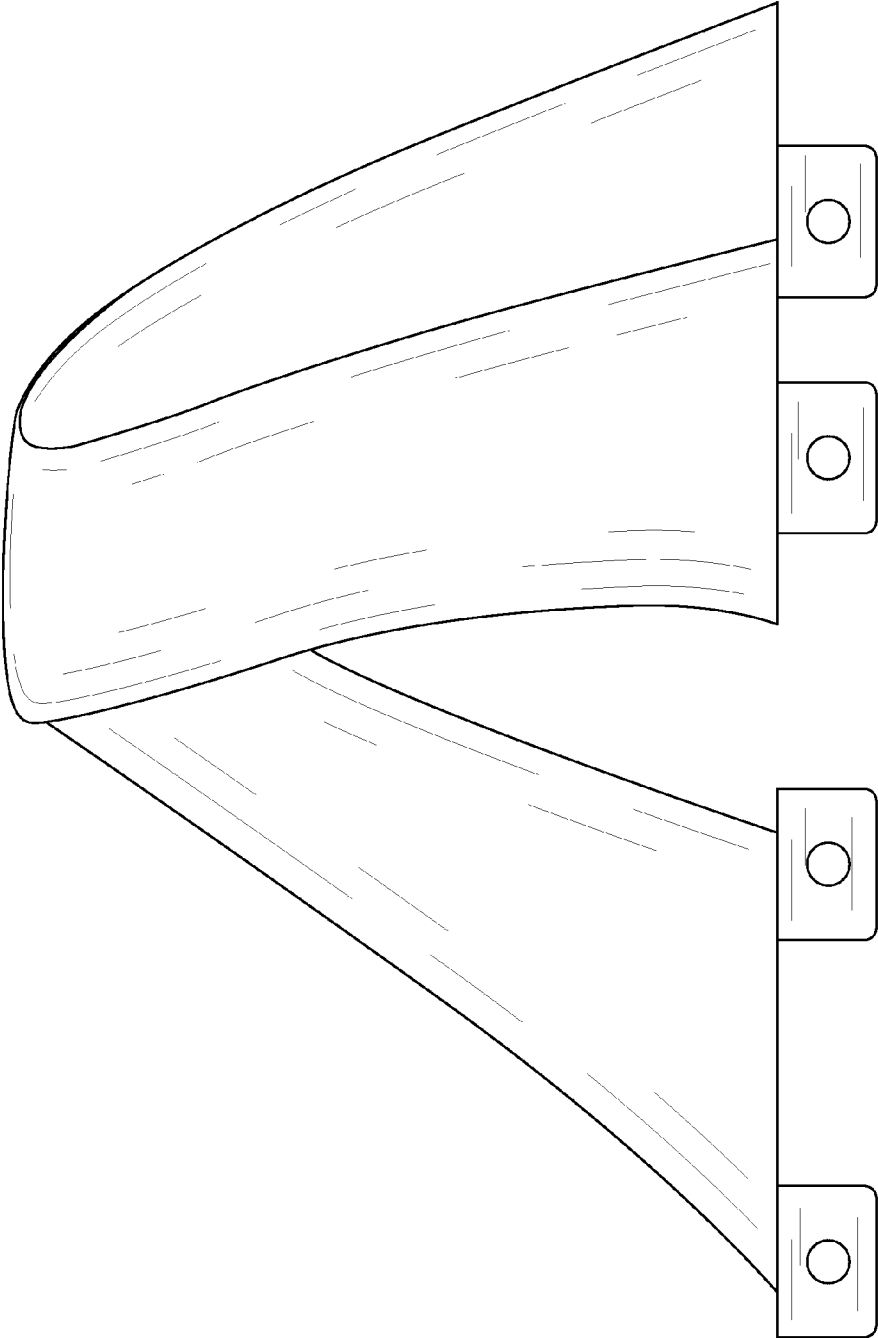


FIG. 5

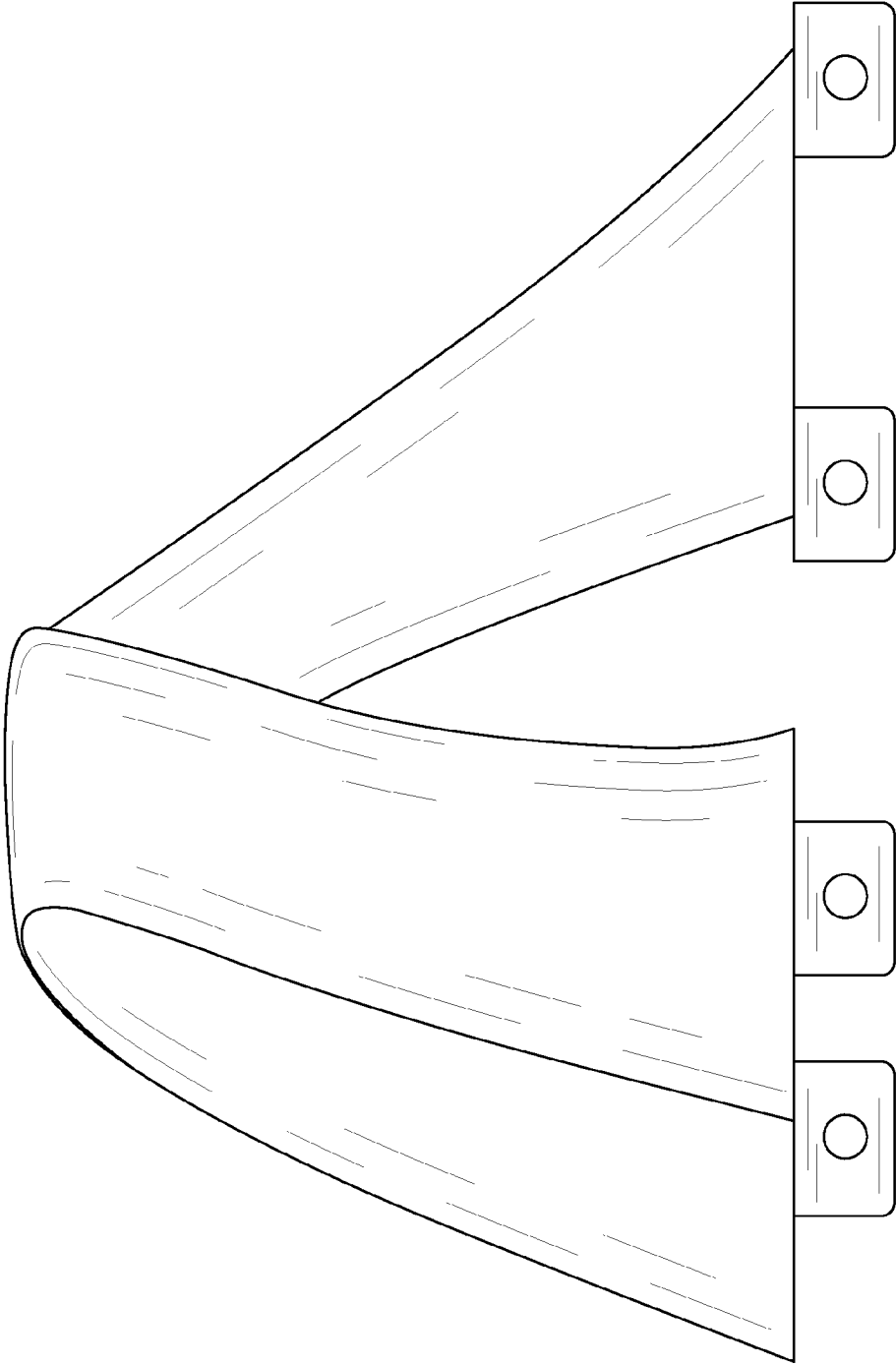


FIG. 6

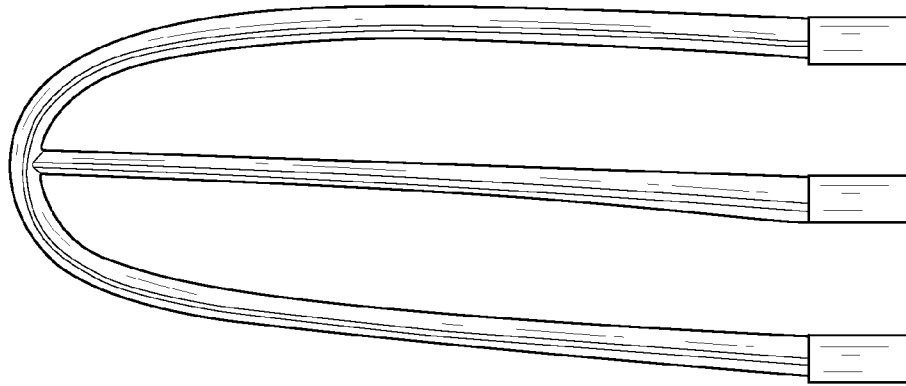


FIG. 8

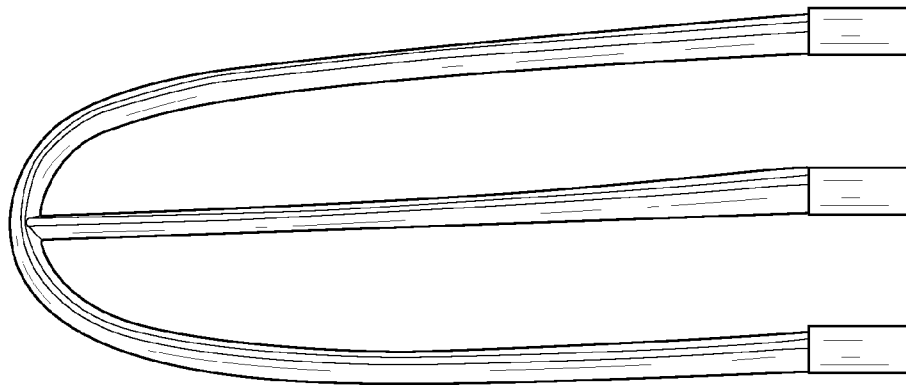


FIG. 7





FIG. 9

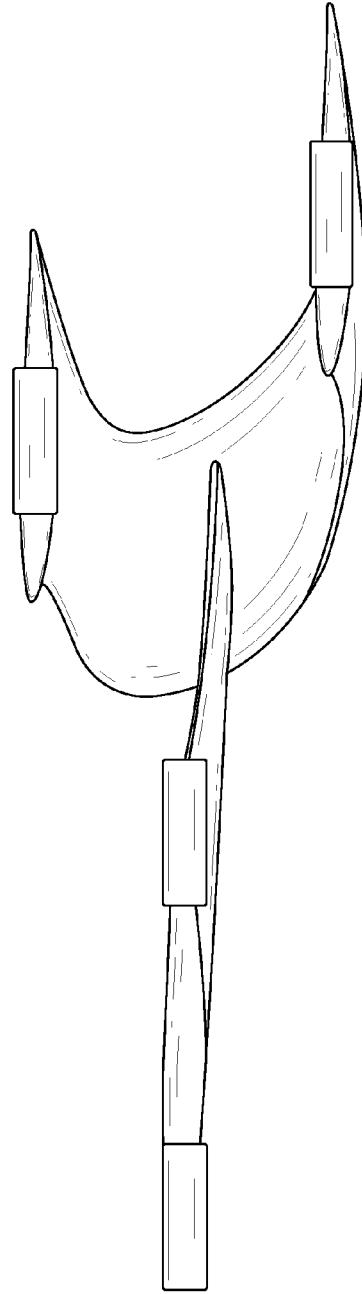


FIG. 10