



US00D642226S

(12) **United States Design Patent**
Walterscheid

(10) **Patent No.:** **US D642,226 S**

(45) **Date of Patent:** **** Jul. 26, 2011**

(54) **FLYING DISC LAUNCHING TOY**
(76) Inventor: **Steve Walterscheid, Banks, OR (US)**

(**) Term: **14 Years**

(21) Appl. No.: **29/368,058**

(22) Filed: **Aug. 17, 2010**

(51) **LOC (9) Cl.** **21-01**

(52) **U.S. Cl.** **D21/436; D21/453; D21/570**

(58) **Field of Classification Search** D21/436,
D21/441-443, 453, 570; D30/160; 446/34,
446/61, 255; 473/569, 588-589; 124/16-17
See application file for complete search history.

(56) **References Cited**

U.S. PATENT DOCUMENTS

4,386,478	A	*	6/1983	Belokin	124/16
D412,019	S	*	7/1999	Wu	D21/436
5,970,970	A	*	10/1999	Vanek et al.	124/16
6,079,398	A	*	6/2000	Grimm	124/16

6,742,509	B2	*	6/2004	Hunter et al.	124/17
D522,070	S	*	5/2006	Hunter et al.	D21/570
7,748,368	B2	*	7/2010	Forti	124/17

* cited by examiner

Primary Examiner — Sandra Morris

(74) *Attorney, Agent, or Firm* — LaMorte & Associates

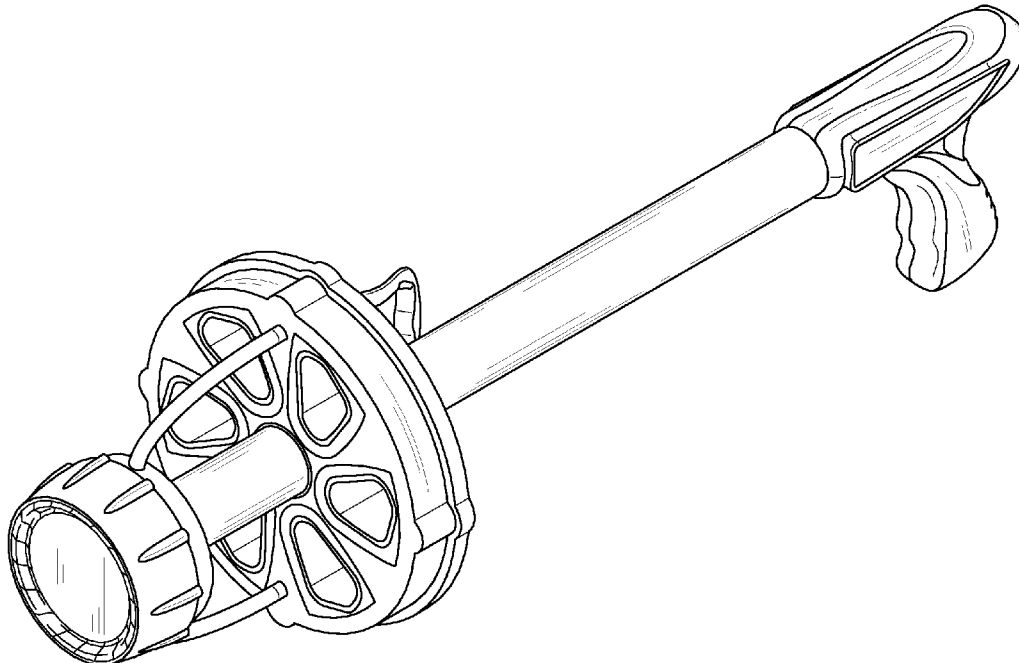
(57) **CLAIM**

The ornamental design for a flying disc launching toy, as shown and described.

DESCRIPTION

FIG. 1 is a top perspective view of the flying disc launching toy;
FIG. 2 is a bottom perspective view thereof;
FIG. 3 is a front view thereof;
FIG. 4 is a rear view thereof;
FIG. 5 is a right side view thereof;
FIG. 6 is a left side view thereof;
FIG. 7 is a bottom view thereof; and,
FIG. 8 is a top view thereof.

1 Claim, 7 Drawing Sheets



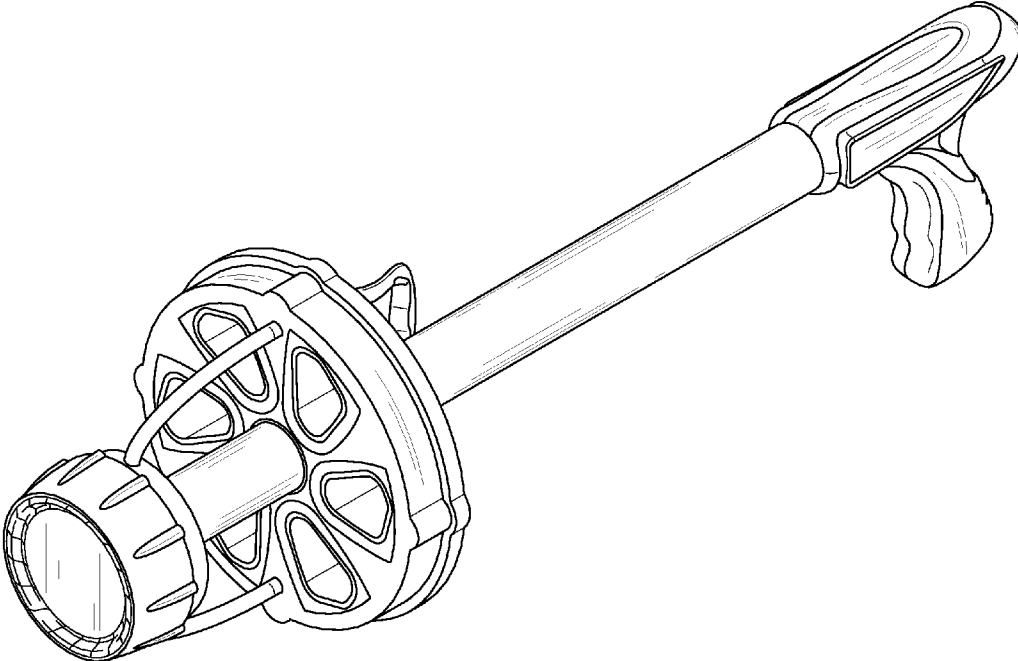


FIG. 1

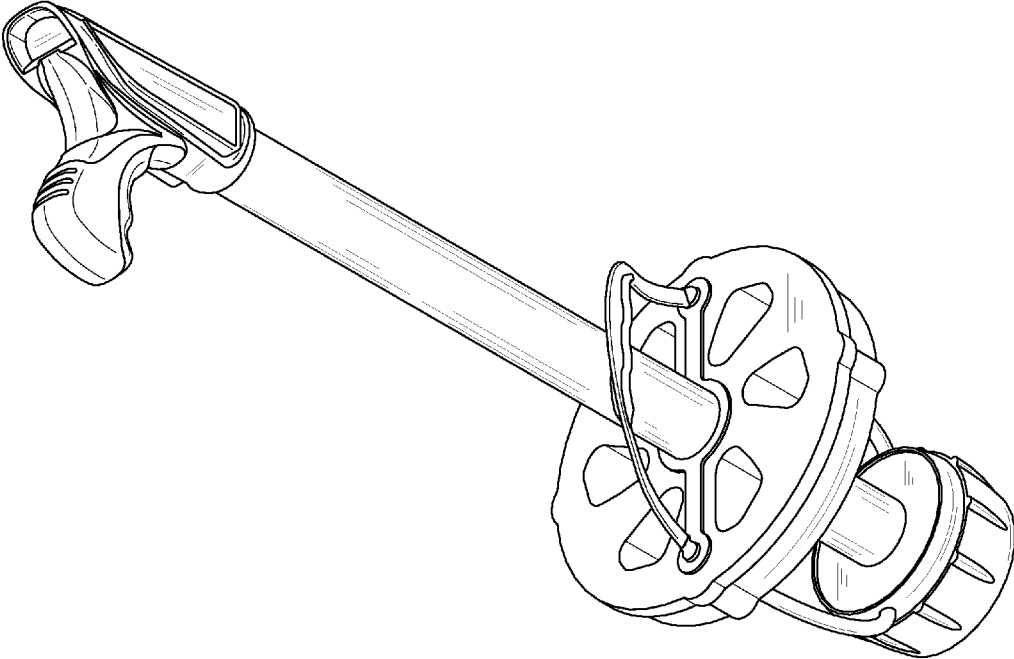


FIG. 2

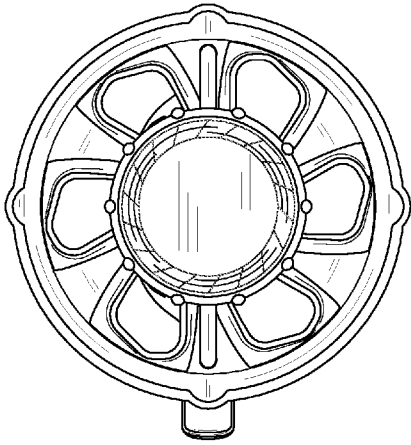


FIG. 3

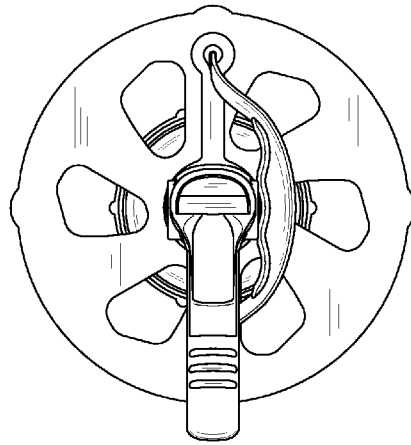


FIG. 4

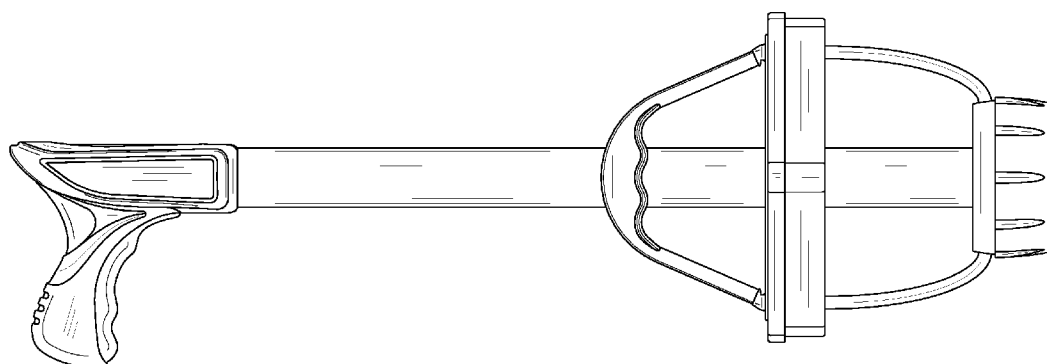


FIG. 5

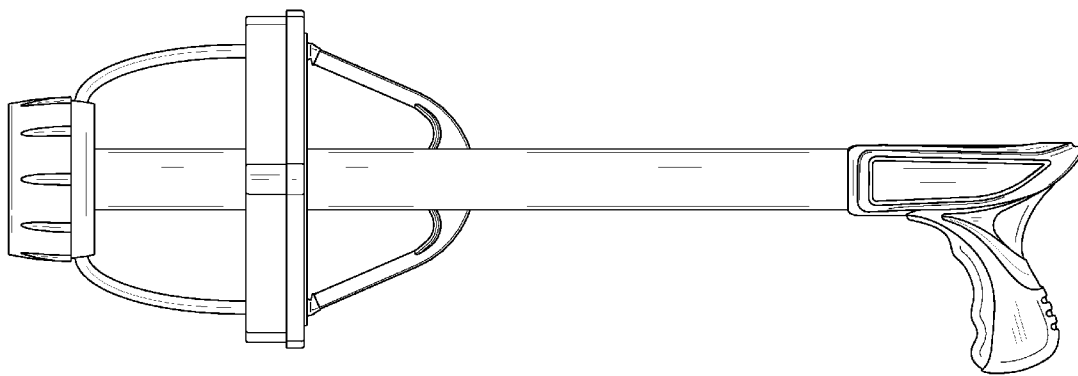


FIG. 6

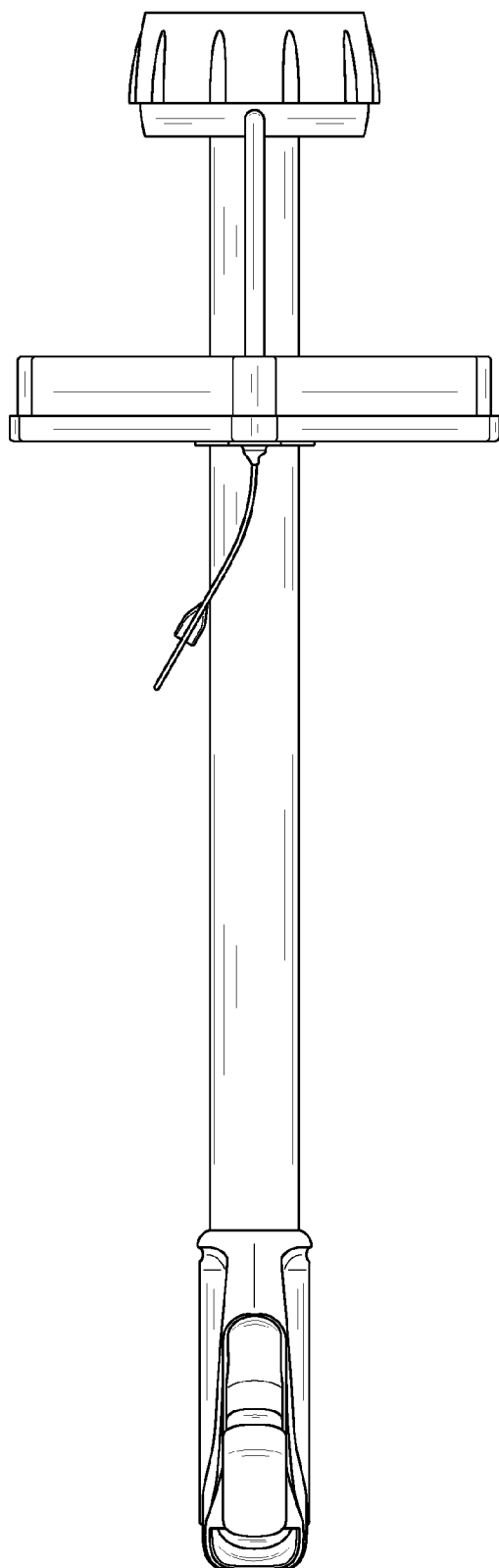


FIG. 7

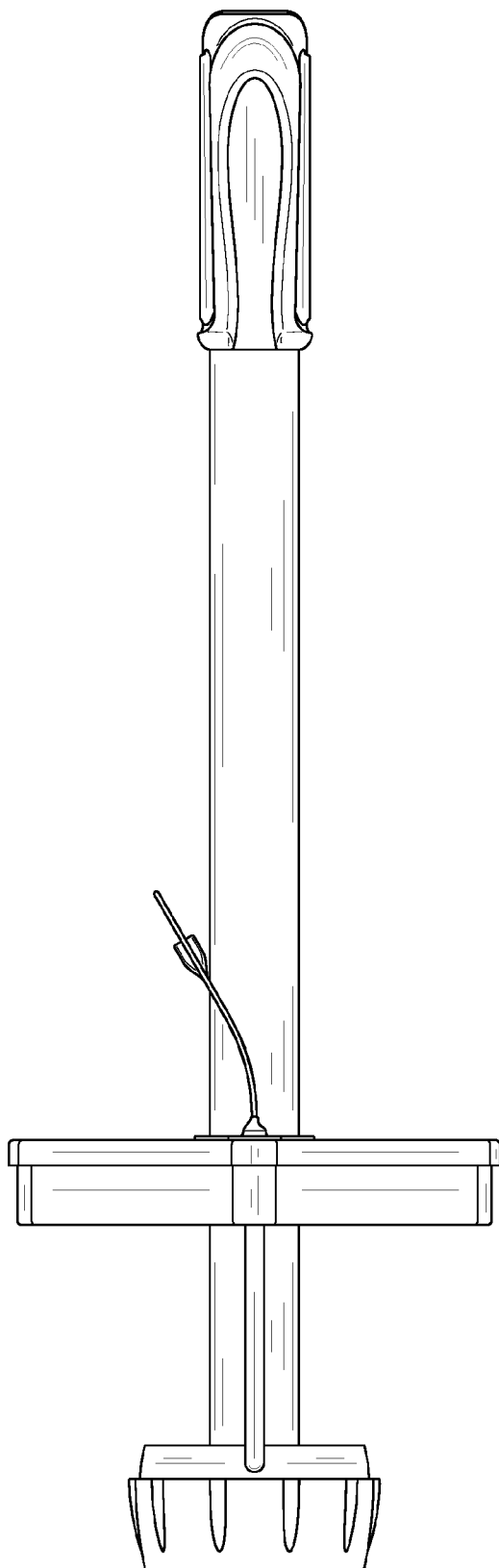


FIG. 8