



US00D738442S

(12) **United States Design Patent**
Cummings

(10) **Patent No.:** **US D738,442 S**

(45) **Date of Patent:** **** Sep. 8, 2015**

(54) **TOY PNEUMATIC LAUNCHER WITH
CROSSBOW CONFIGURATION**

(71) Applicant: **Peter Cummings**, Tsim Sha Tsui (HK)

(72) Inventor: **Peter Cummings**, Tsim Sha Tsui (HK)

(73) Assignee: **KMA Concepts Limited**, Tsim Sha Tsui, Kowloon (HK)

(**) Term: **14 Years**

(21) Appl. No.: **29/491,326**

(22) Filed: **May 20, 2014**

(51) **LOC (10) Cl.** **21-01**

(52) **U.S. Cl.**
USPC **D21/571**

(58) **Field of Classification Search**
USPC D21/570, 571; D22/100, 106, 107, 113;
124/21, 25, 64, 65, 66, 67
CPC F41B 4/00; F41B 5/00; F41B 5/12;
F41B 11/00; F41B 11/14; F41B 11/18;
F41B 11/64; F41B 11/642; F41B 11/89
See application file for complete search history.

(56) **References Cited**

U.S. PATENT DOCUMENTS

D186,080 S * 9/1959 Philip, Jr. D21/571
4,086,901 A * 5/1978 Clement 124/21

D337,796 S * 7/1993 Sutyak D21/571
5,224,464 A * 7/1993 Burnham et al. 124/67
5,242,323 A * 9/1993 Rappaport 446/180
5,678,528 A * 10/1997 Hadley 124/25
5,738,079 A * 4/1998 Keller et al. 124/66
5,830,029 A * 11/1998 Siegel 446/15
6,076,513 A * 6/2000 Doherty et al. 124/66
D659,203 S * 5/2012 Greiner D21/570
8,485,171 B2 * 7/2013 Romney 124/65
2002/0134366 A1 * 9/2002 Rehkemper et al. 124/78

* cited by examiner

Primary Examiner — Cynthia M Chin

(74) *Attorney, Agent, or Firm* — LaMorte & Associates, P.C.

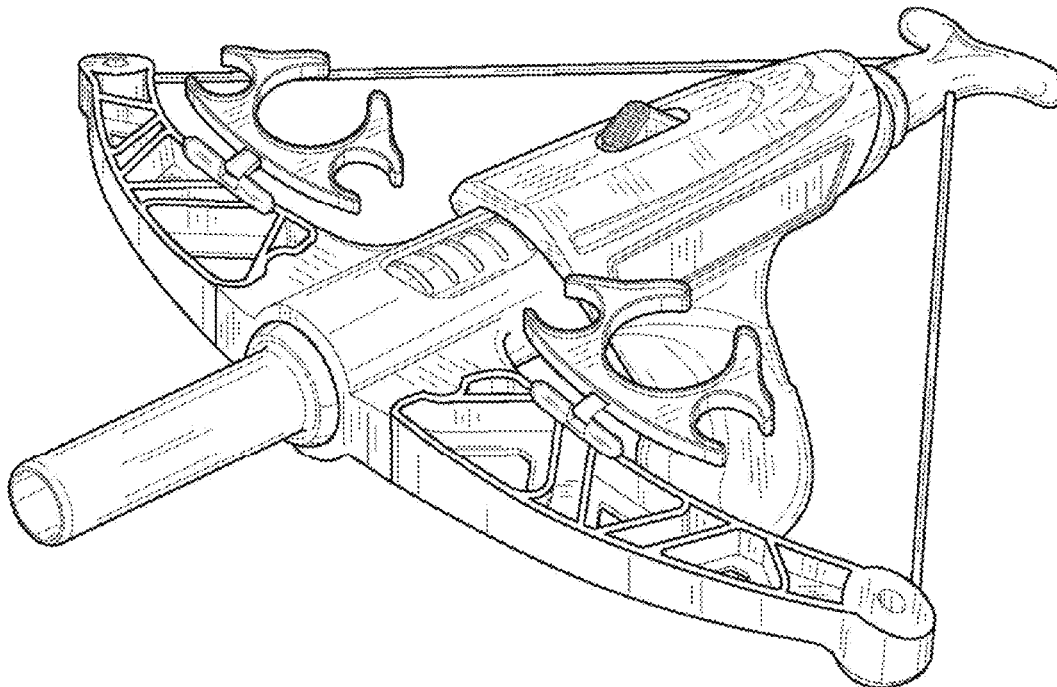
(57) **CLAIM**

The ornamental design for a toy pneumatic launcher with crossbow configuration, as shown and described.

DESCRIPTION

FIG. 1 is a top perspective view of a toy pneumatic launcher with crossbow configuration;
FIG. 2 is a front view thereof;
FIG. 3 is a rear view thereof;
FIG. 4 is a right side view, the left side view being a mirror image thereof;
FIG. 5 is a top view thereof; and,
FIG. 6 is a bottom view thereof.
The broken lines represent portions of the article that form no part of the claim.

1 Claim, 5 Drawing Sheets



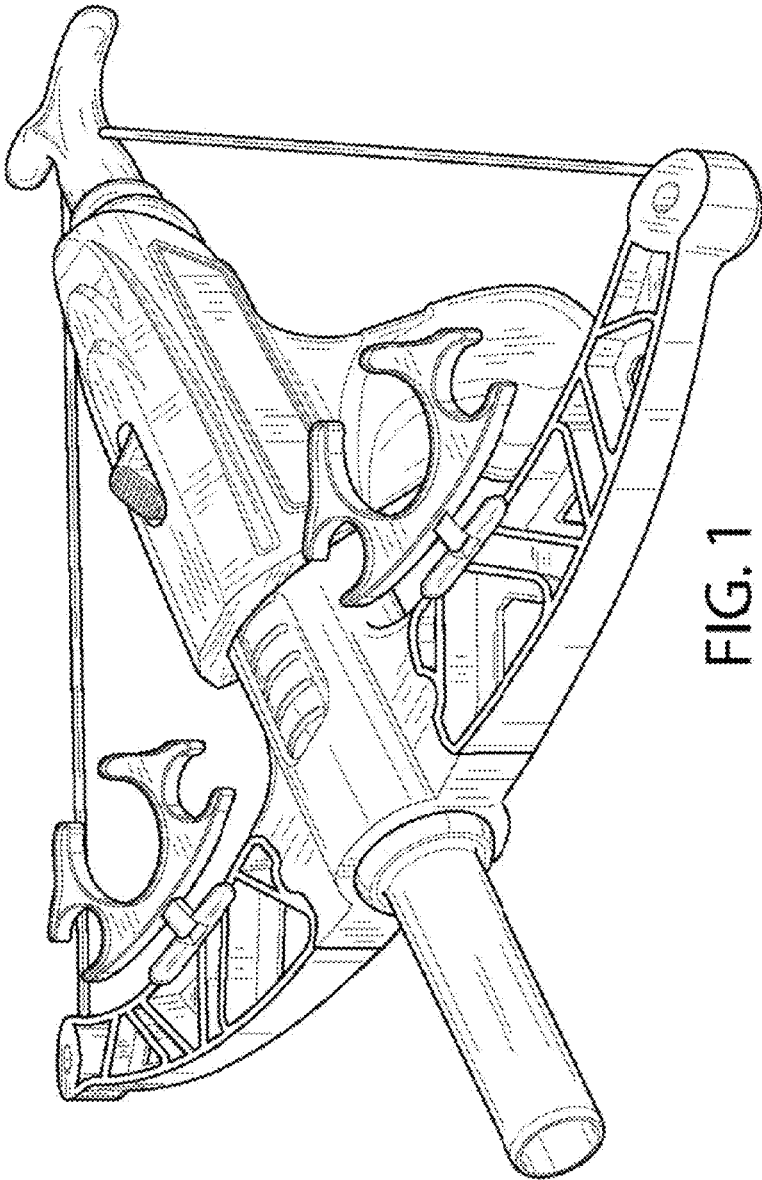


FIG. 1

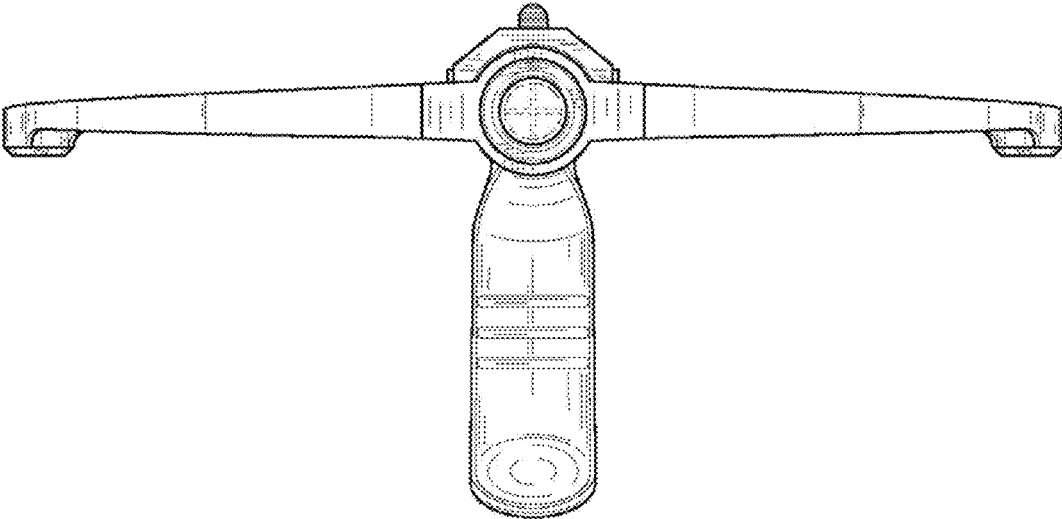


FIG. 2

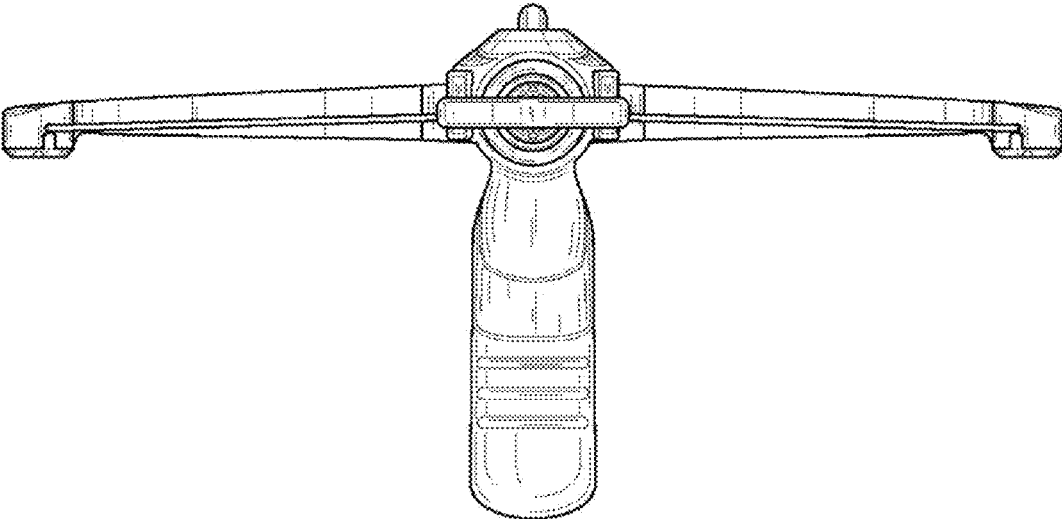


FIG. 3

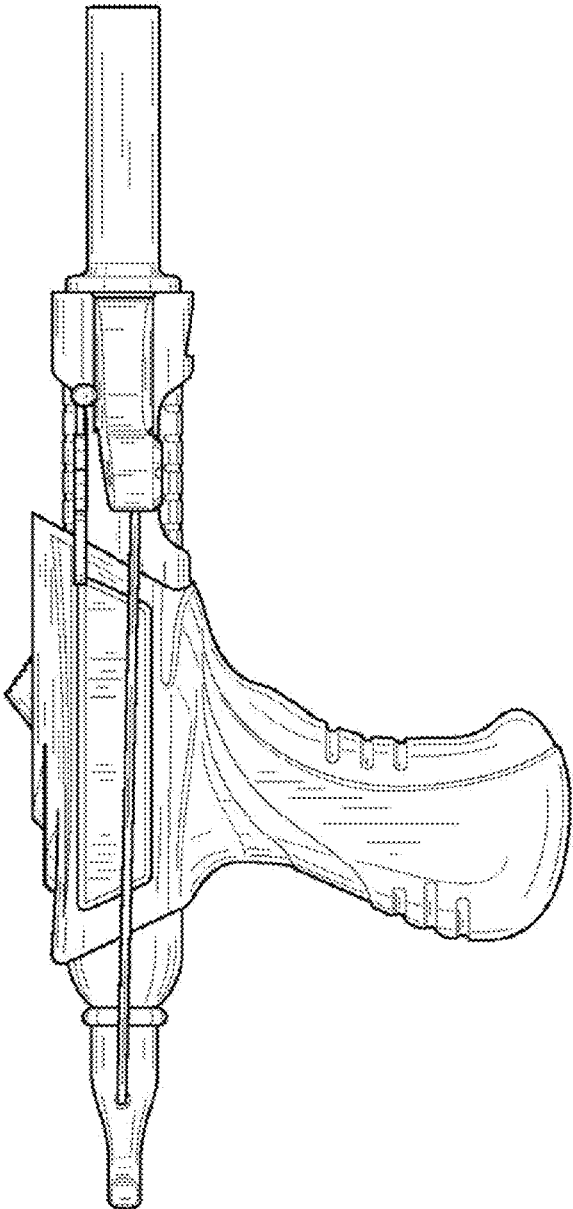


FIG. 4

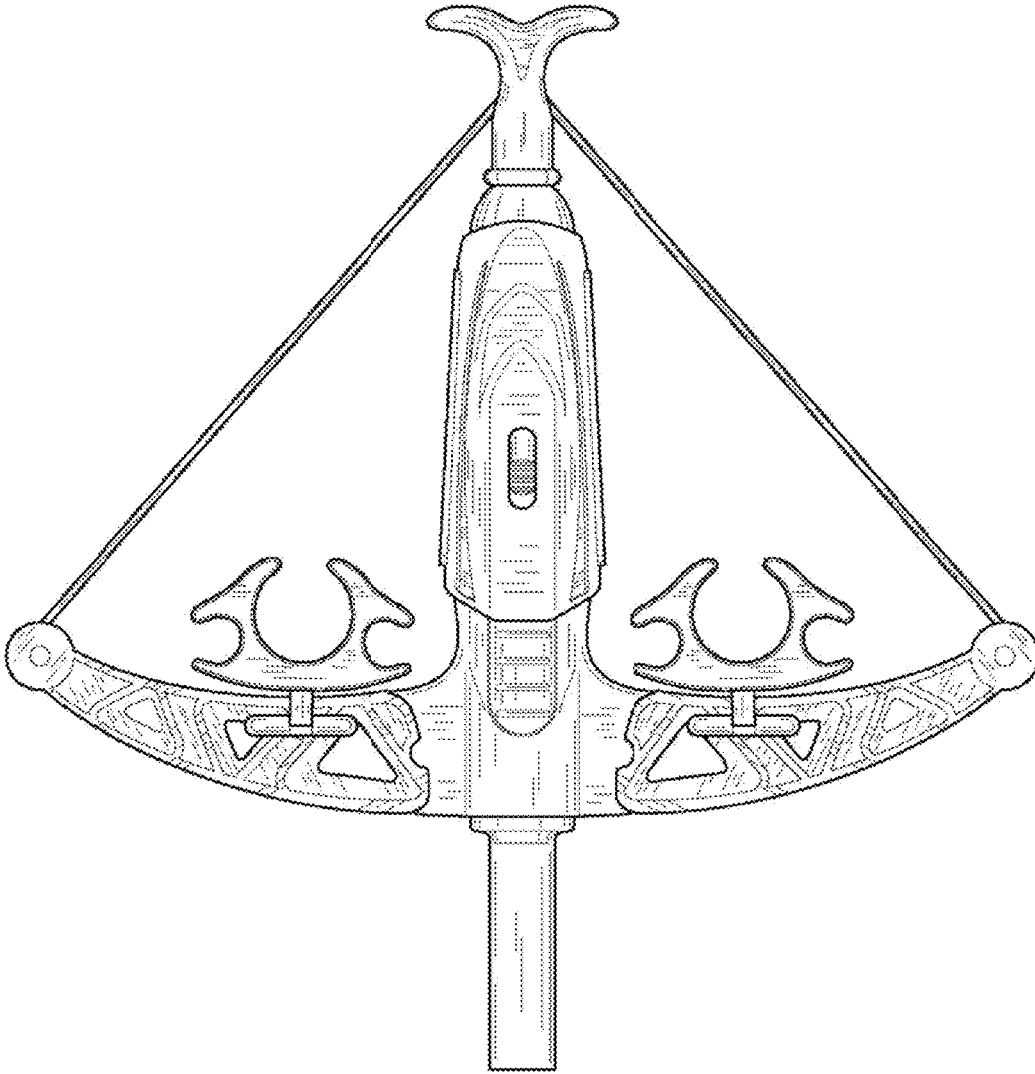


FIG. 5

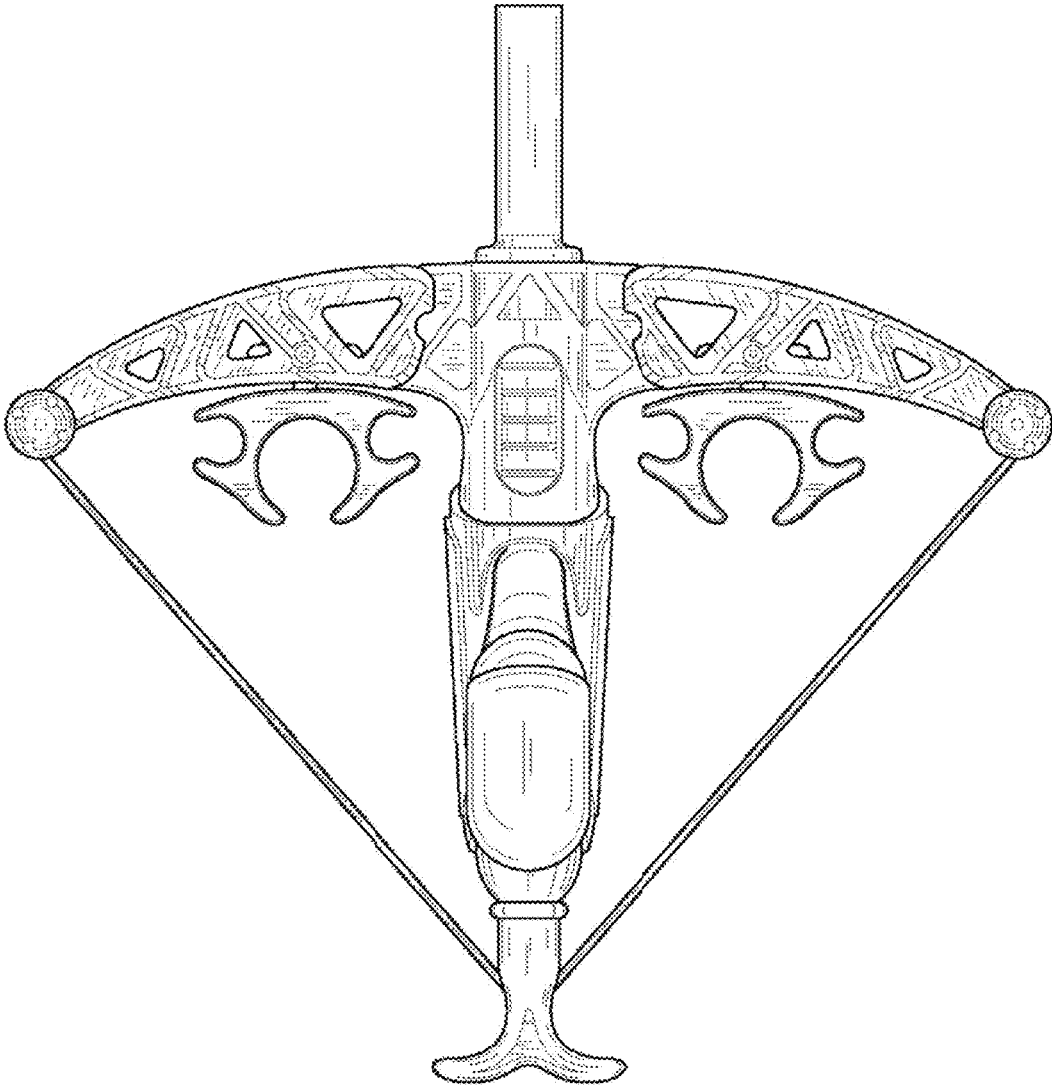


FIG. 6